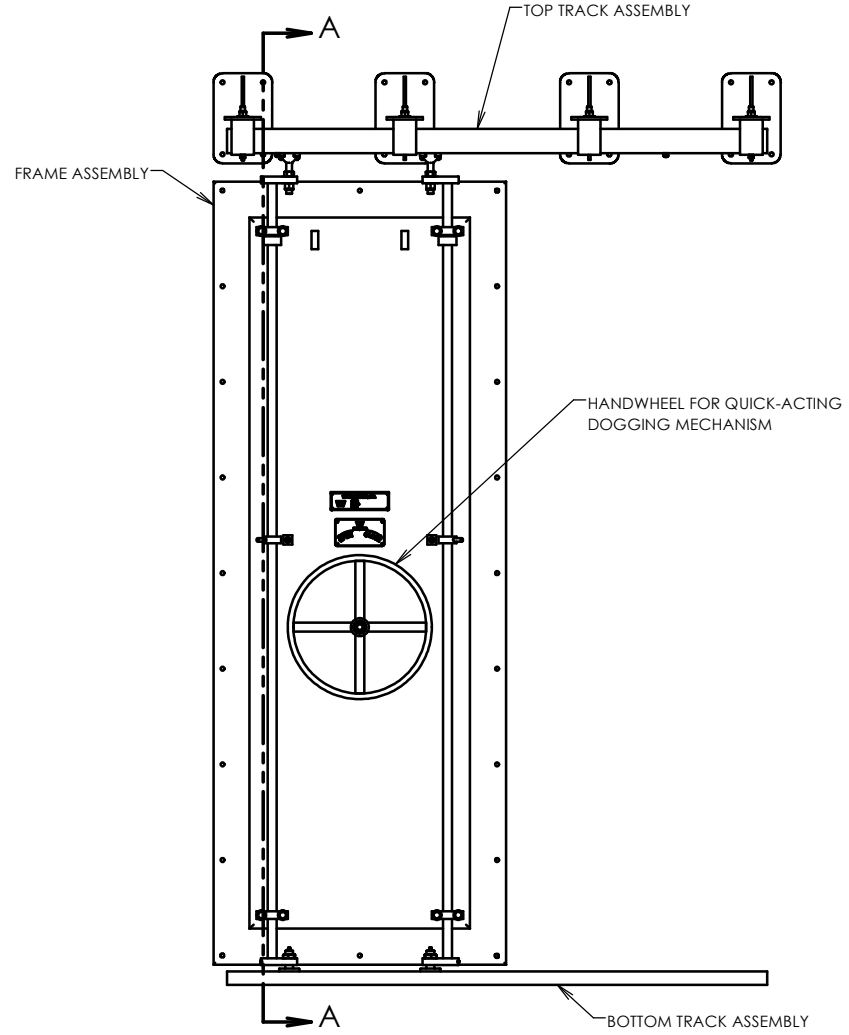
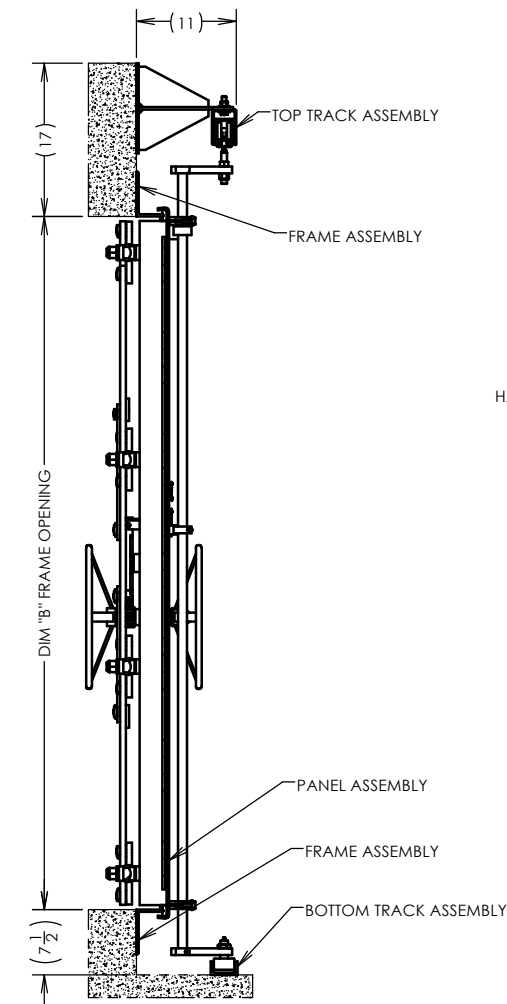


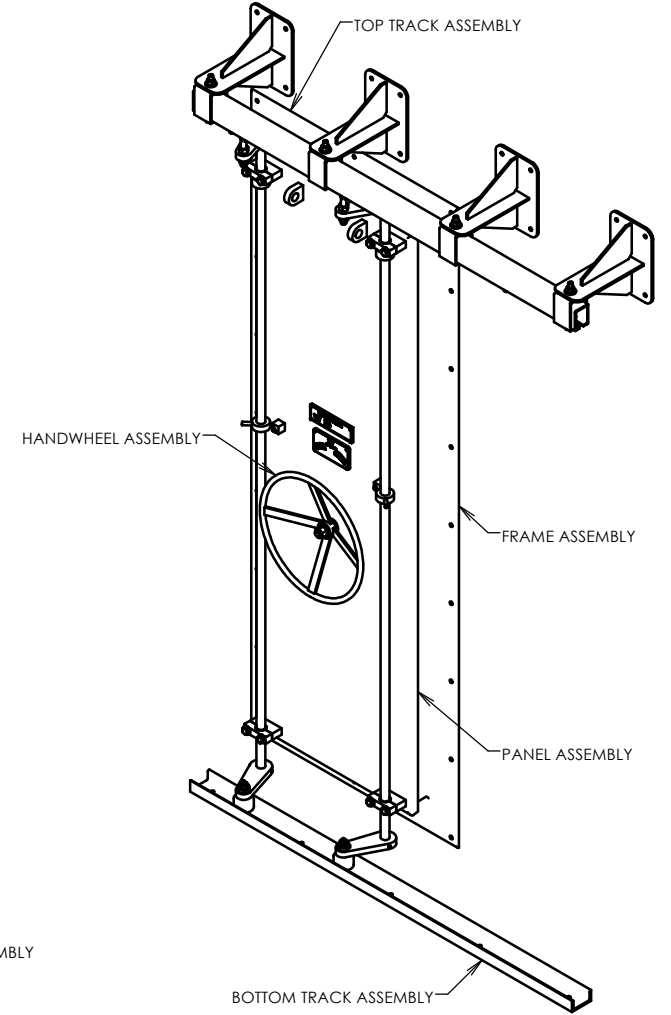
ELEVATION VIEW
PANEL SHOWN OPEN



ELEVATION VIEW
PANEL SHOWN CLOSED



SECTION A-A



ISOMETRIC VIEW
PANEL SHOWN CLOSED

NOTE: ALL DIMENSIONS ARE IN INCHES.
SCALE: 3/32

INSTALLATION NOTES:

1. INSTALLER RESPONSIBLE FOR CREATING WATERTIGHT SEAL BETWEEN FRAME ASSEMBLY AND MOUNTING SURFACE. WK RECOMMENDS SILICONE SEALANT. SEALANT SUPPLIED BY INSTALLER.
2. FRAME ASSEMBLY AND TRACKS MOUNTED USING HEX HEAD ANCHOR BOLTS. ANCHOR BOLTS SUPPLIED BY INSTALLER.

THIS DRAWING CONTAINS COMPANY PROPRIETARY AND CONFIDENTIAL INFORMATION AND IS NOT TO BE COPIED, DISCLOSED TO OTHERS OR USED IN ANY MANNER WITHOUT PRIOR PERMISSION OF WALZ & KRENZER, INC.

WK WALZ & KRENZER, INC.
91 WILLENBROCK RD., UNIT B-4 OXFORD, CT. 06478
WEB SITE: www.wkdoors.com

**SLIDING QUICK ACTING
WATERTIGHT DOOR
(MODEL WT-FD-S)**