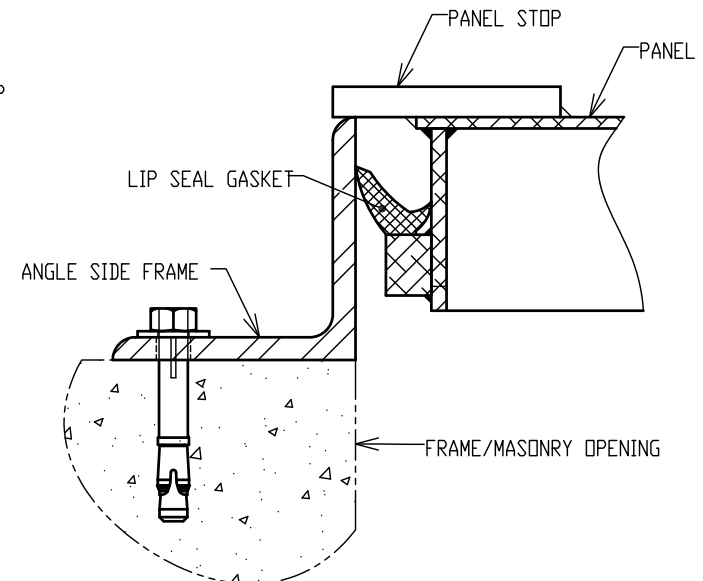
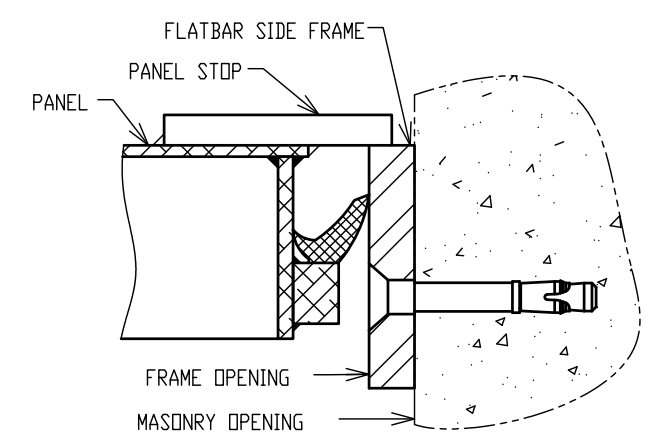


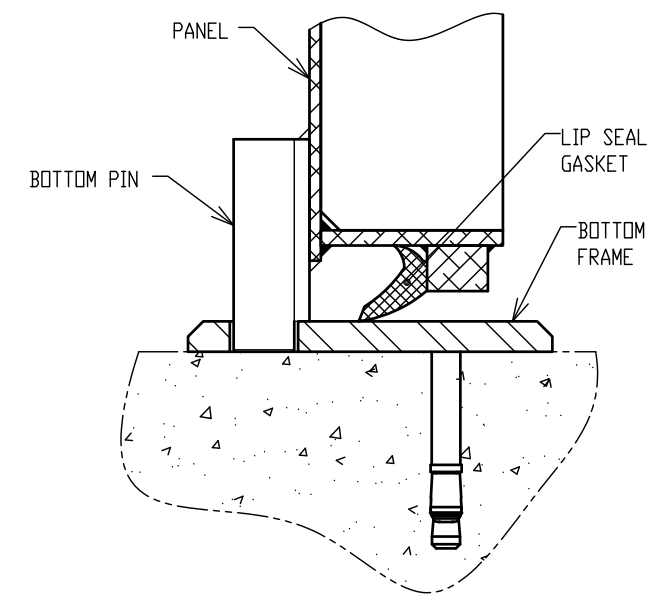
ELEVATION VIEW



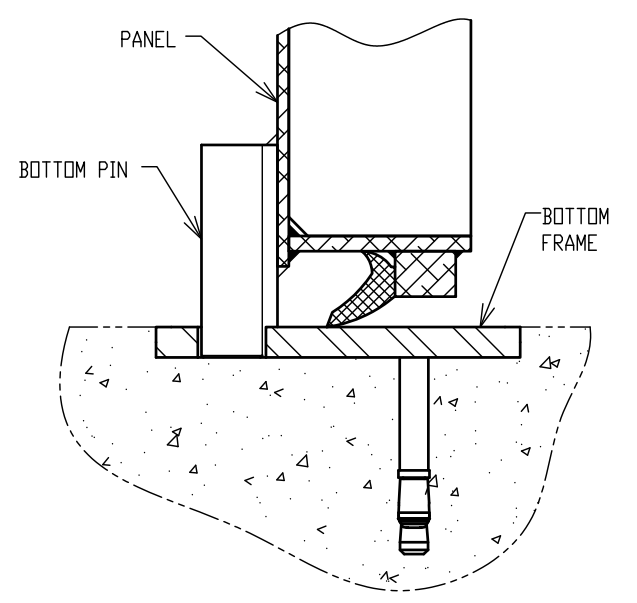
SEALED JAMB
BOLTED ANGLE FRAME



SEALED JAMB
BOLTED FLATBAR FRAME

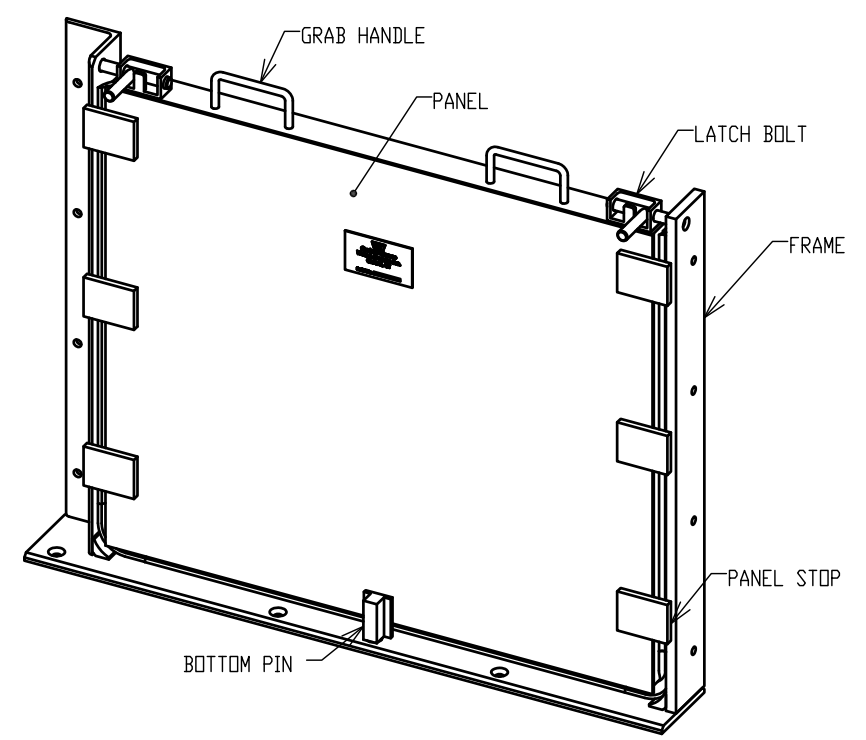


SEALED SILL
RAISED BOTTOM FRAME



SEALED SILL
FLUSH BOTTOM FRAME

NOTE: ALL DIMENSIONS ARE IN INCHES.
NOT ALL VIEWS TO SCALE.



LIP SEAL FLOOD BARRIER

THIS DRAWING CONTAINS COMPANY PROPRIETARY INFORMATION AND IS COPYRIGHTED BY WALZ & KRENZER (W&K). W&K ALLOWS USE OF THIS DRAWING IN SPECIFICATIONS AND PLANS ONLY IF W&K IS LISTED AS A QUALIFIED SUPPLIER.

W&K WALZ & KRENZER, INC.
91 WILLENBROCK RD., UNIT B-4 OXFORD, CT. 06478
WEB SITE: www.wkdoors.com

**REMOVABLE LIP SEAL
FLOOD BARRIER
(MODEL FP-LS)**