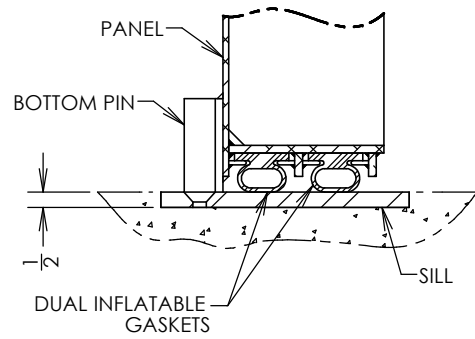
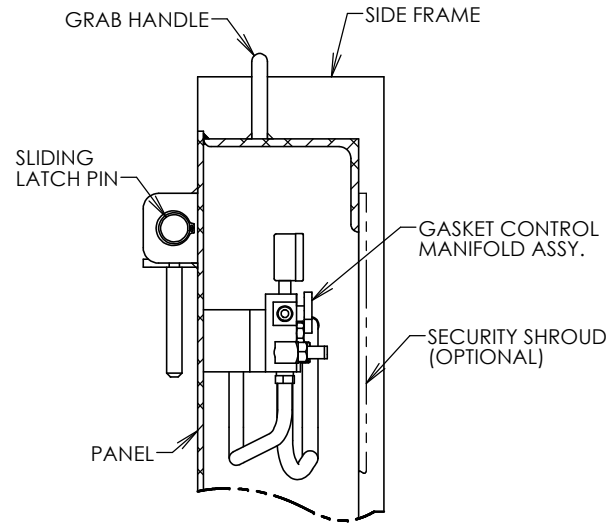


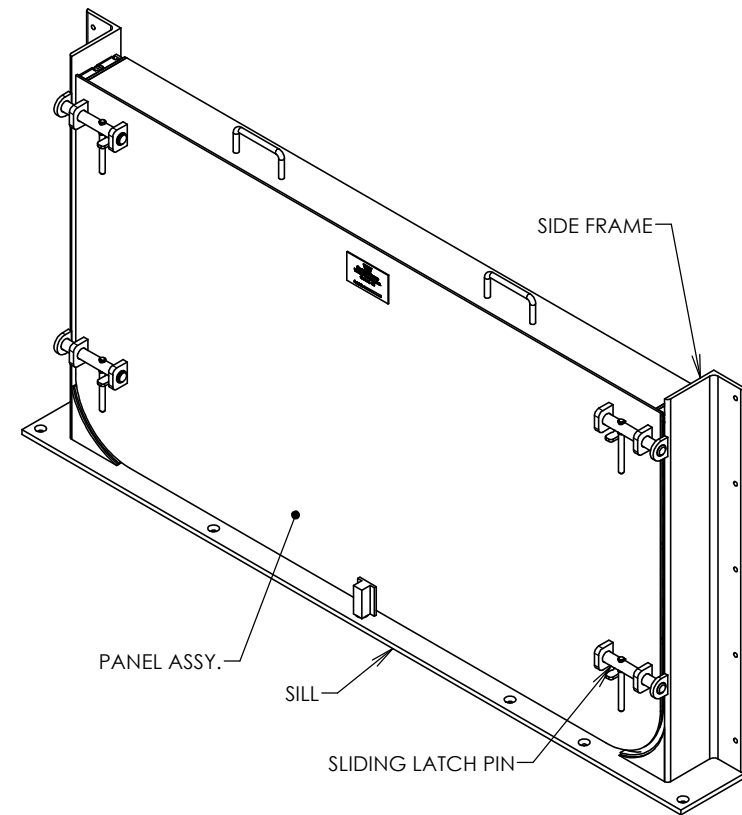
**TYPICAL JAMB SECTION**



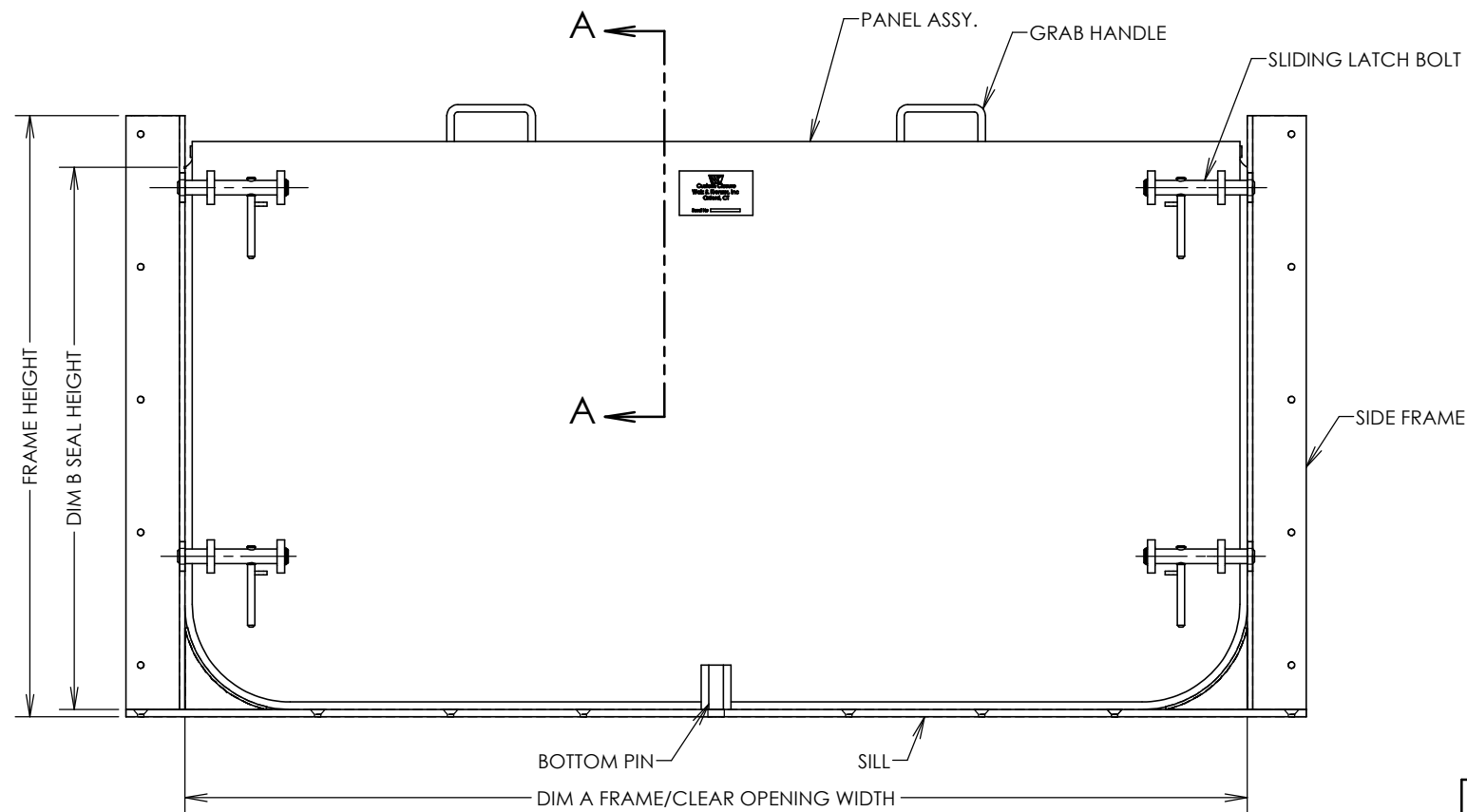
**TYPICAL SILL SECTION**  
FLUSH SILL SHOWN,  
SILL CAN BE BOLTED TO TOP OF CONCRETE



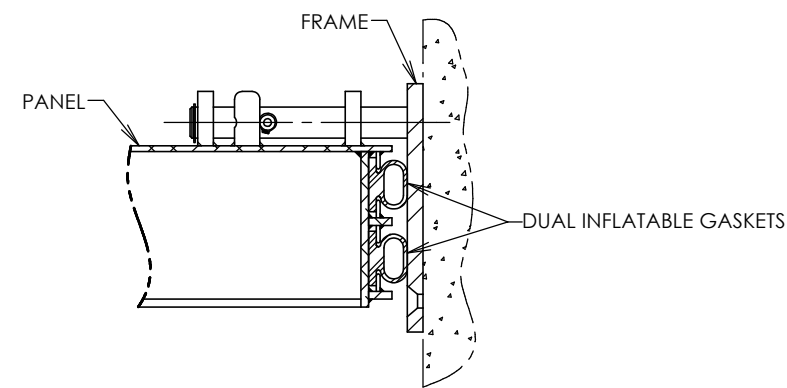
**SECTION A-A**



**ISOMETRIC VIEW**



**ELEVATION VIEW**



**ALTERNATIVE JAMB MOUNTING**

NOTE: ALL DIMENSIONS ARE IN INCHES.  
NOT ALL VIEWS ARE TO SCALE.

THIS DRAWING CONTAINS COMPANY PROPRIETARY INFORMATION AND IS COPYRIGHTED BY WALZ & KRENZER (W&K). W&K ALLOWS USE OF THIS DRAWING IN SPECIFICATIONS AND PLANS ONLY IF W&K IS LISTED AS A QUALIFIED SUPPLIER.

**W&K** WALZ & KRENZER, INC.  
91 WILLENBROCK RD., UNIT B-4 OXFORD, CT. 06478  
WEB SITE: www.wkdoors.com

**REMOVABLE INFLATABLE GASKET FLOOD BARRIER (MODEL FP-1)**