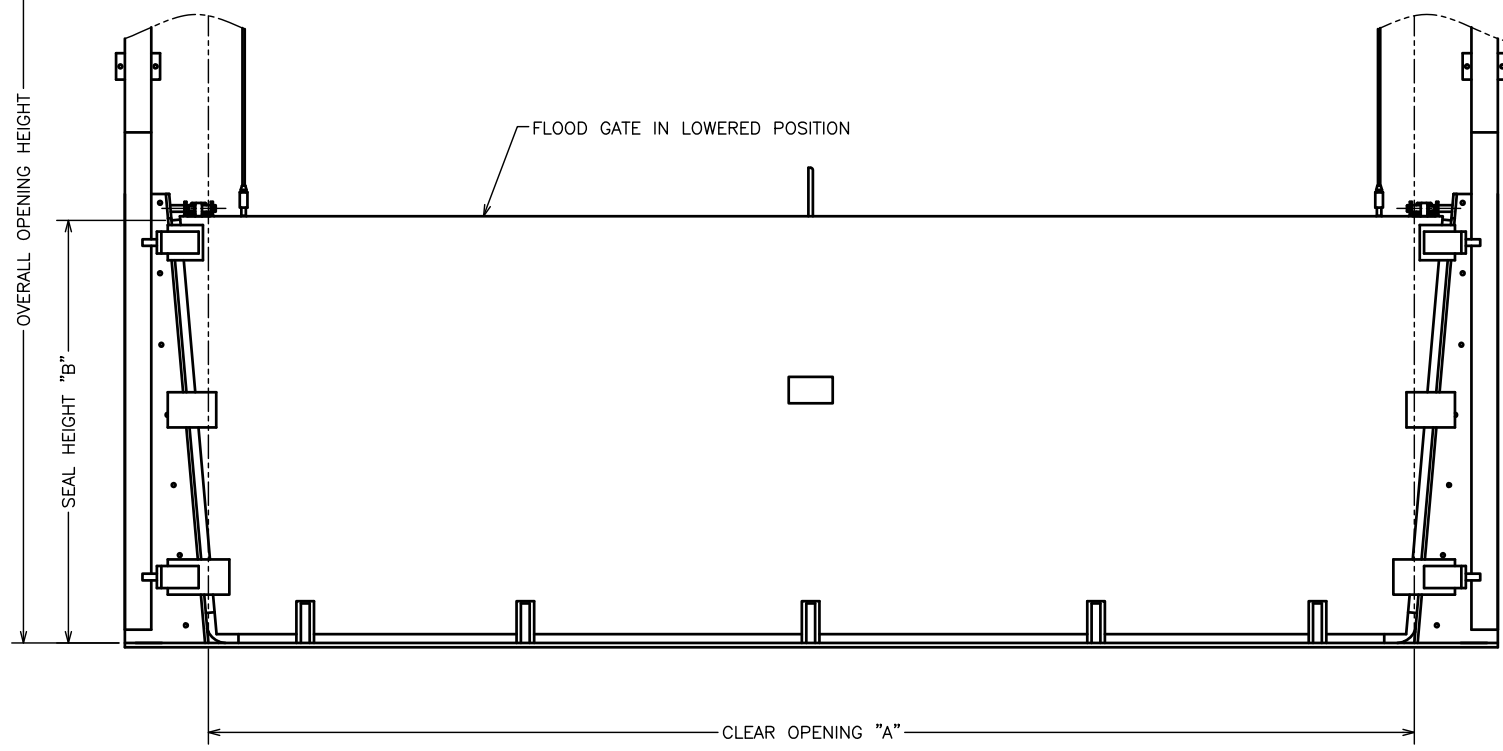
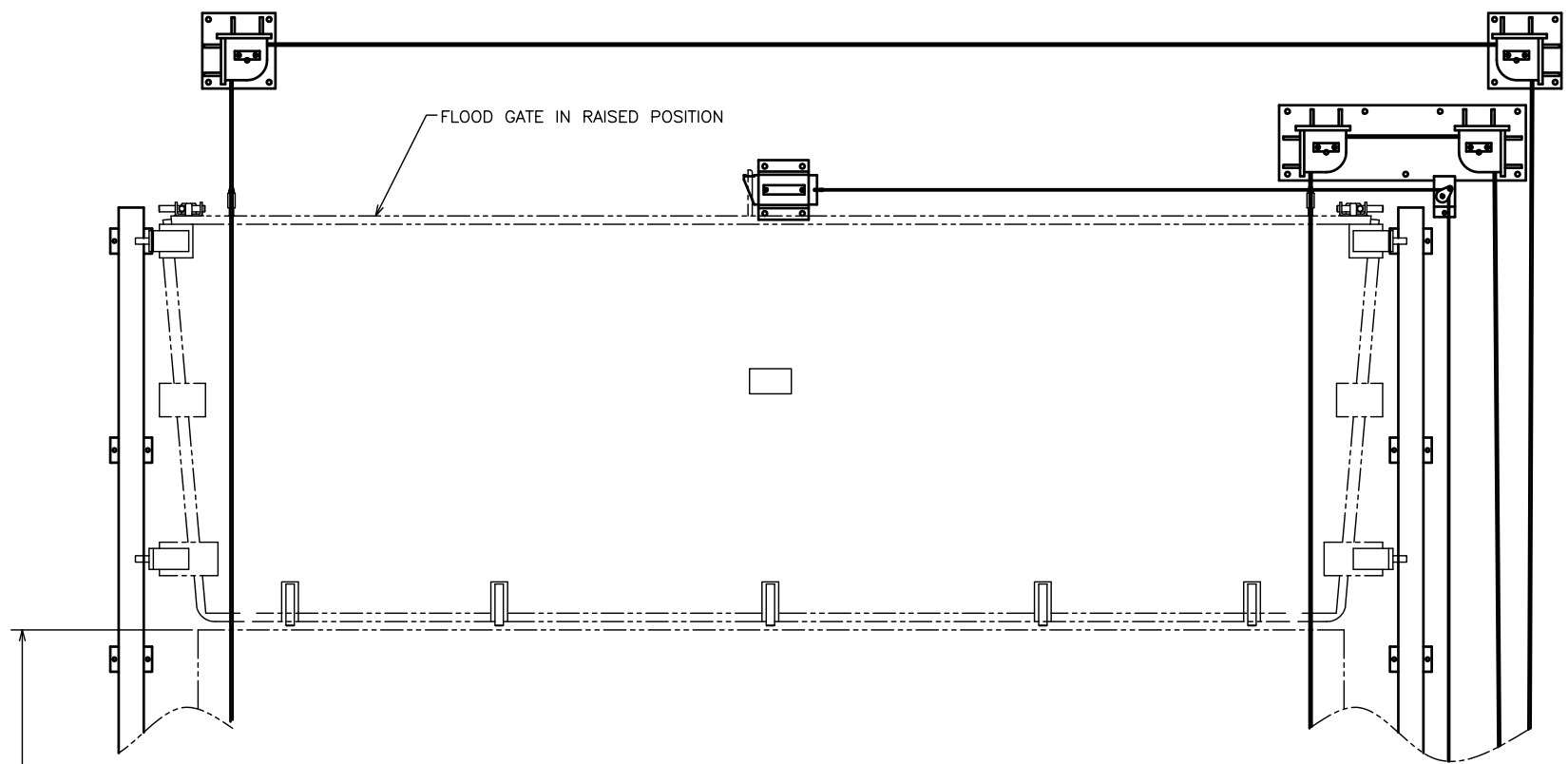
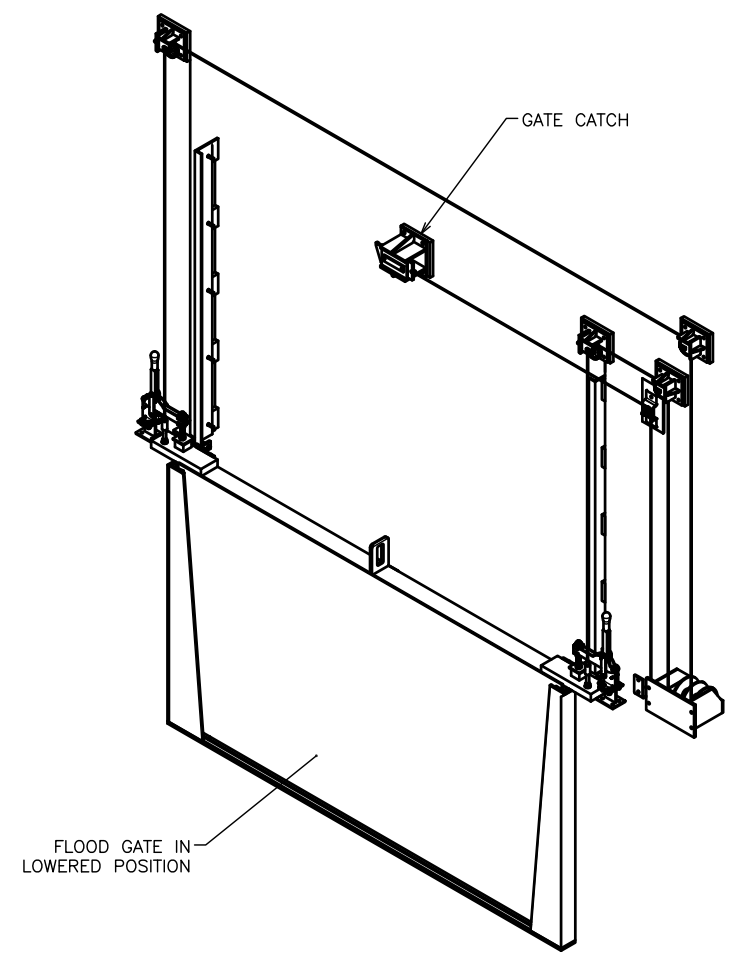


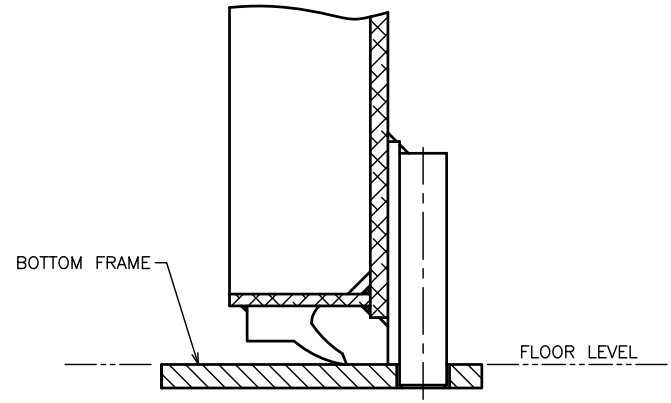
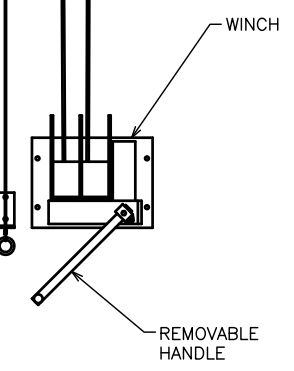
| REVISION HISTORY | | | | |
|------------------|-------------|------|-------|----------|
| REV. | DESCRIPTION | DATE | DRAWN | APPROVED |
| | | | | |



ELEVATION VIEW



ISOMETRIC VIEW



TYPICAL BOTTOM SECTION

THIS DRAWING CONTAINS COMPANY PROPRIETARY INFORMATION AND IS COPYRIGHTED BY WALZ & KRENZER (W&K). W&K ALLOWS USE OF THIS DRAWING IN SPECIFICATIONS AND PLANS ONLY IF W&K IS LISTED AS A QUALIFIED SUPPLIER.

W WALZ & KRENZER, INC.
91 WILLENBROCK RD., UNIT B-4 DUFFIELD, CT. 06478
WEB SITE: www.wkdoors.com

VERTICAL SLIDING FLOOD GATE (MODEL FG-S)