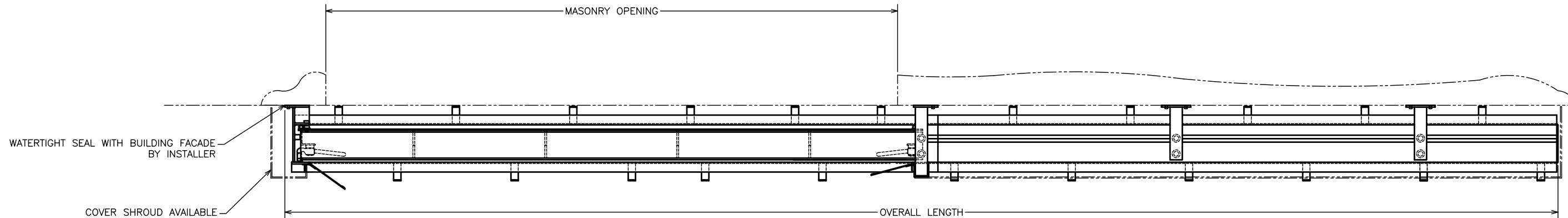
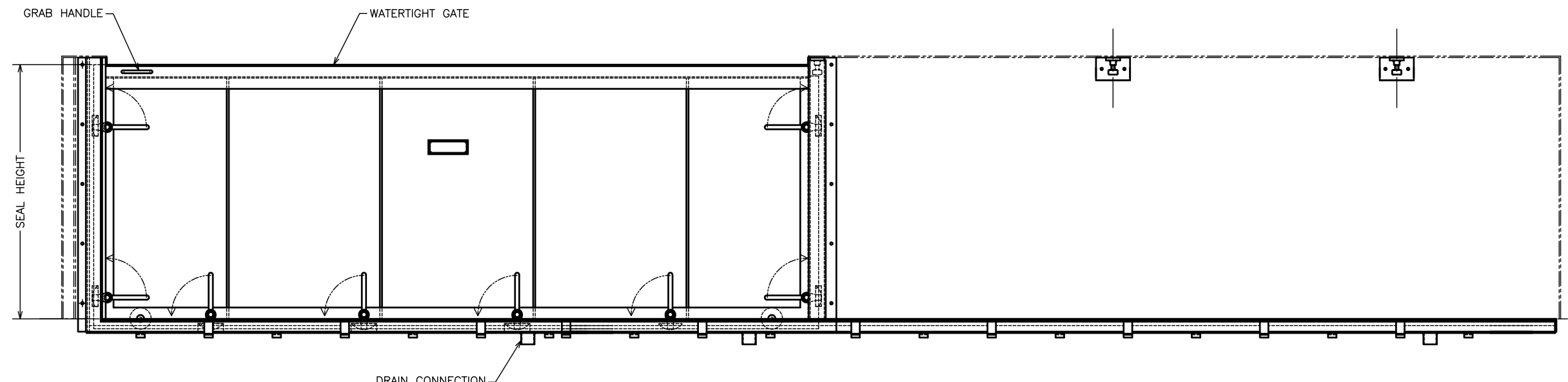


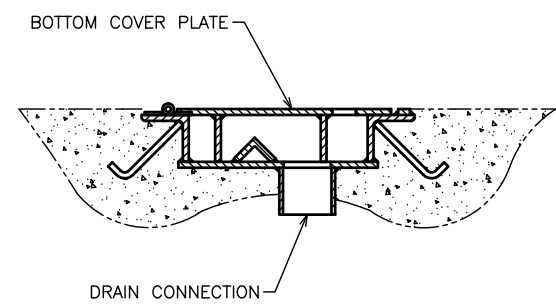
REVISION HISTORY			
REV.	DESCRIPTION	DATE	APPROVED



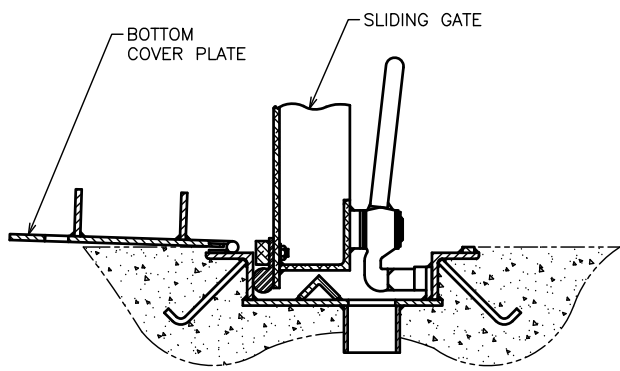
PLAN VIEW
BOTTOM COVER PLATE NOT SHOWN



ELEVATION VIEW
GATE SHOWN CLOSED



TYPICAL BOTTOM SECTION
WITH COVER PLATE LOWERED



TYPICAL BOTTOM SECTION

THIS DRAWING CONTAINS COMPANY PROPRIETARY INFORMATION AND IS COPYRIGHTED BY WALZ & KRENZER (W&K). W&K ALLOWS USE OF THIS DRAWING IN SPECIFICATIONS AND PLANS ONLY IF W&K IS LISTED AS A QUALIFIED SUPPLIER.

W WALZ & KRENZER, INC.
91 WILLENBROCK RD., UNIT B-4 DUFFIELD, CT. 06478
WEB SITE: www.wkdoors.com

HORIZONTAL SLIDING WATERTIGHT GATE (MODEL WG-S)