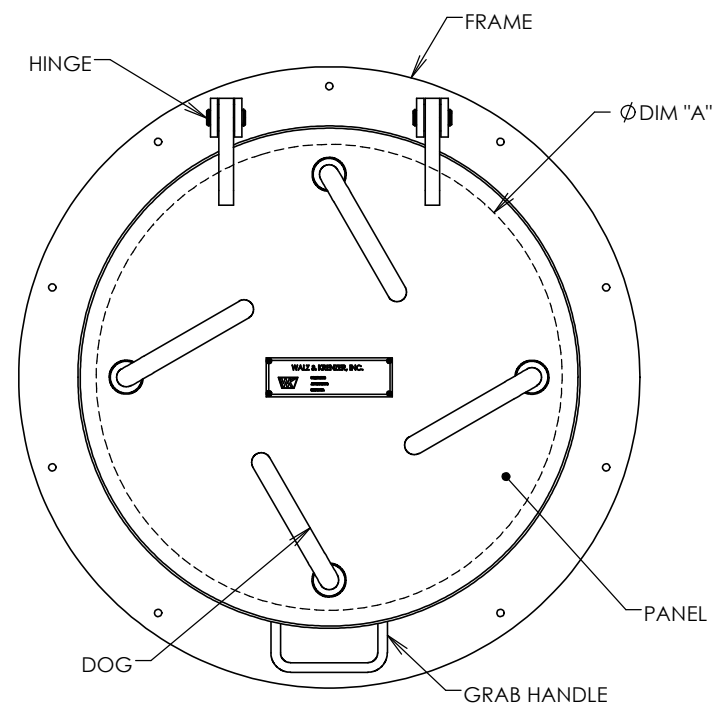
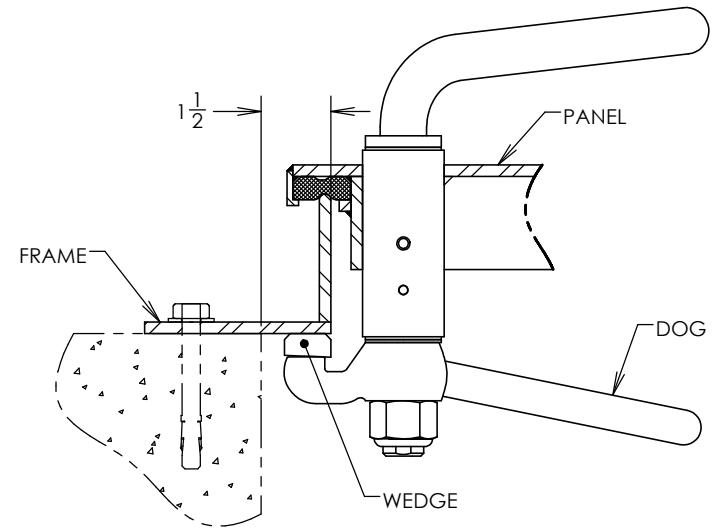


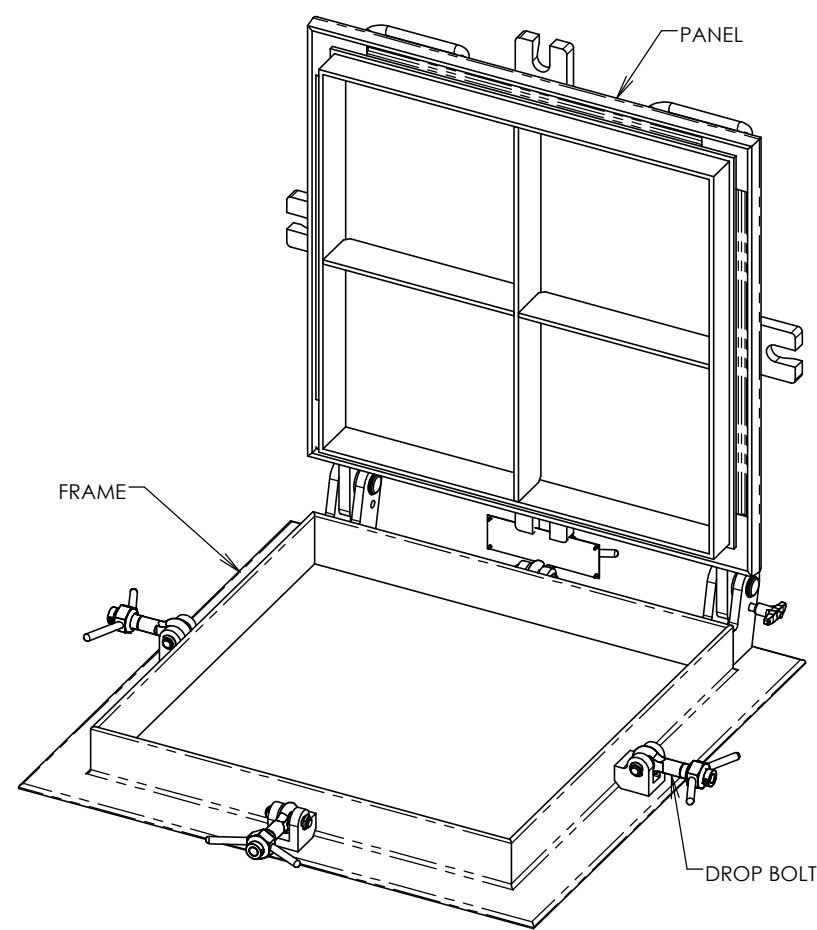
ROUND INDIVIDUALLY DOGGED HATCH



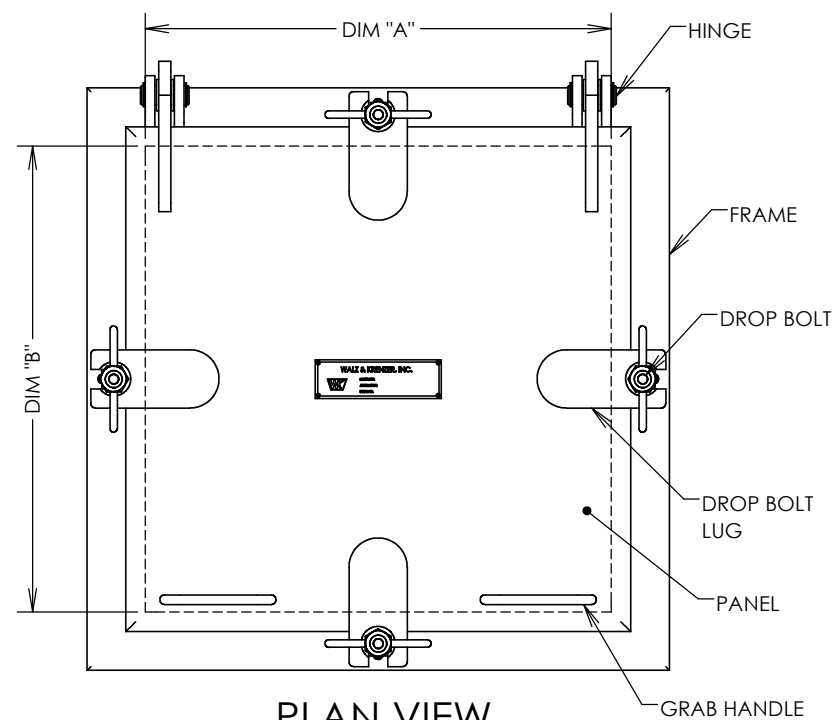
PLAN VIEW



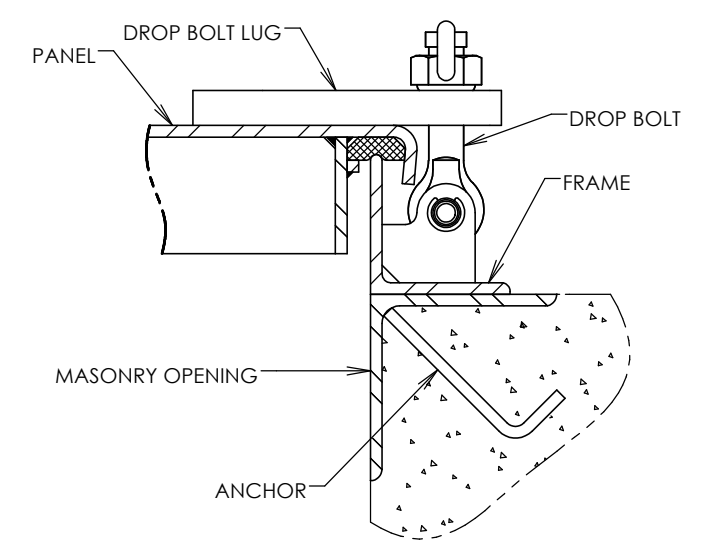
IND. DOGGED HATCH SECTION WITH BOLT-ON FRAME



RECTANGULAR DROP BOLT HATCH



PLAN VIEW



DROP BOLT HATCH SECTION WITH EMBEDDED FRAME

NOTE: ALL DIMENSIONS ARE IN INCHES.
NOT ALL VIEWS ARE TO SCALE.

THIS DRAWING CONTAINS COMPANY PROPRIETARY INFORMATION AND IS COPYRIGHTED BY WALZ & KRENZER (W&K). W&K ALLOWS USE OF THIS DRAWING IN SPECIFICATIONS AND PLANS ONLY IF W&K IS LISTED AS A QUALIFIED SUPPLIER.



WALZ & KRENZER, INC.
91 WILLENBROCK RD., UNIT B-4 OXFORD, CT. 06478
WEB SITE: www.wkdoors.com

**RAISED HATCH
DROP BOLT OR IND. DOGGED
(MODEL WTH-R)**