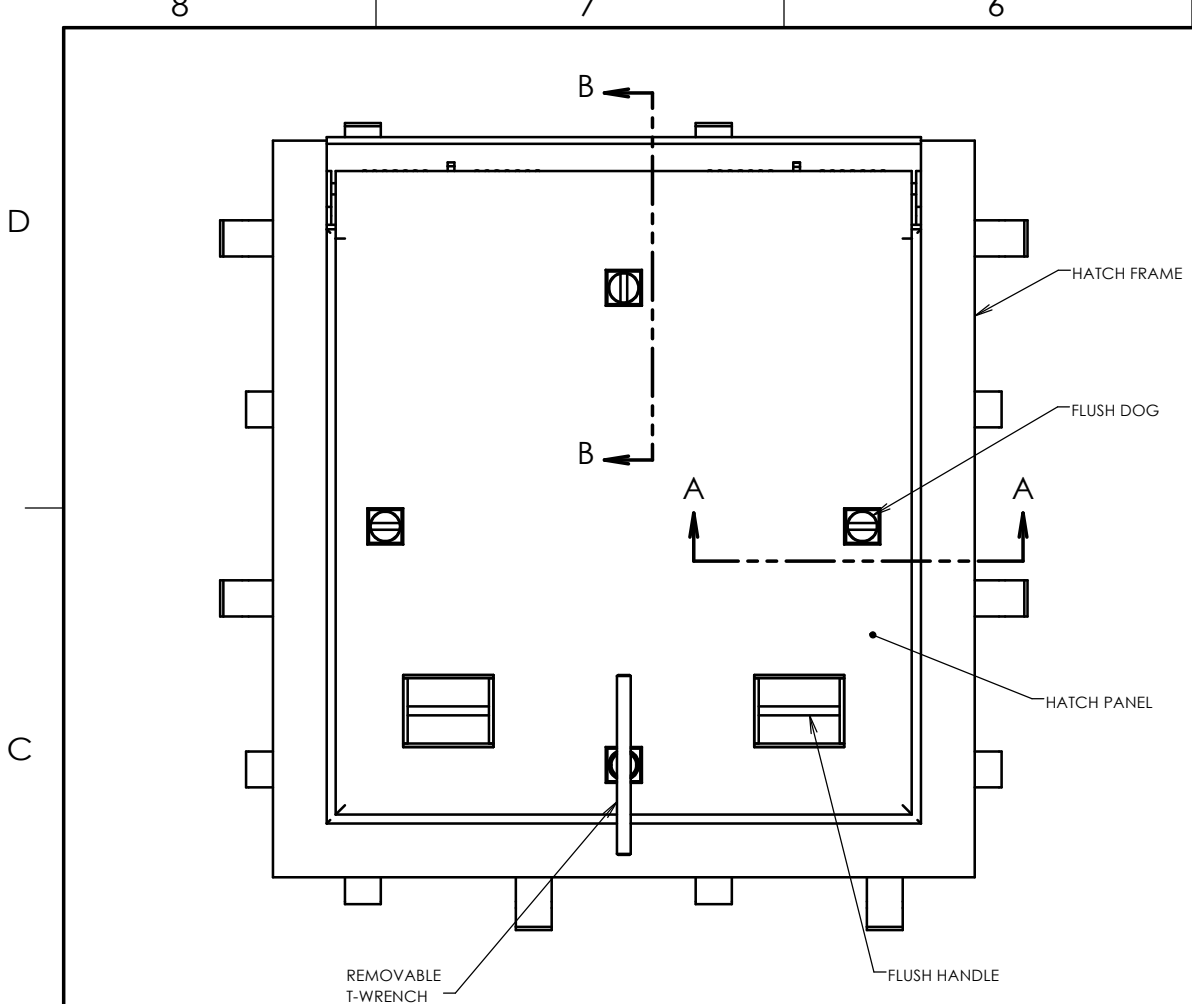
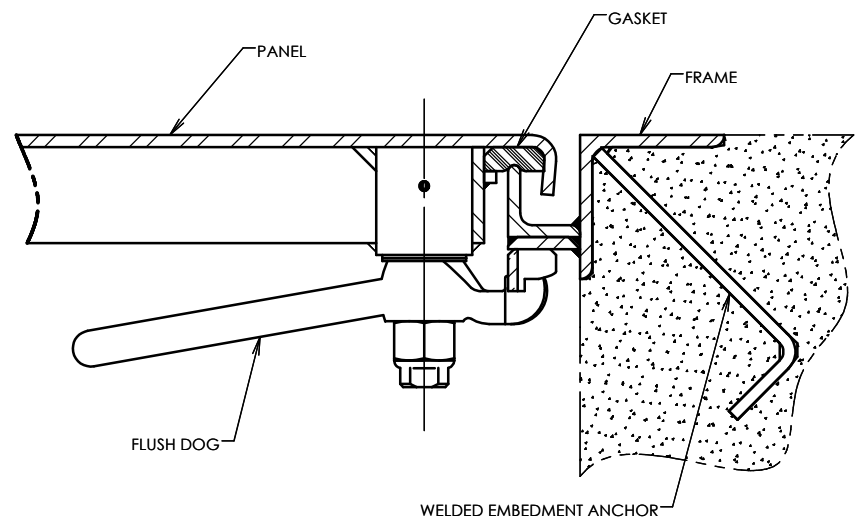


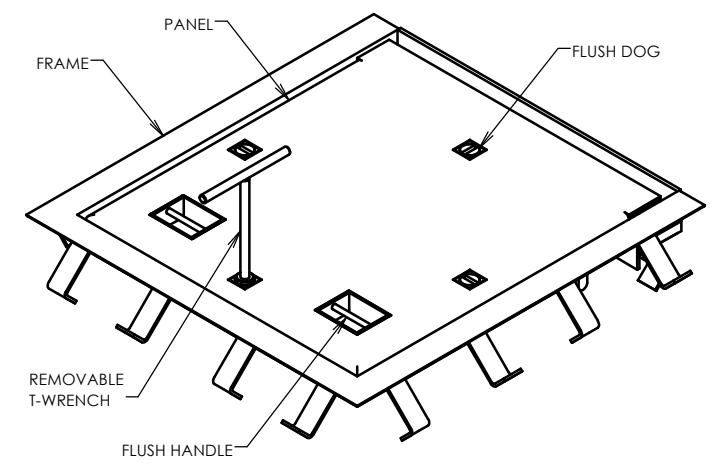
REVISION HISTORY				
REV.	DESCRIPTION	DATE	DRAWN	APPROVED



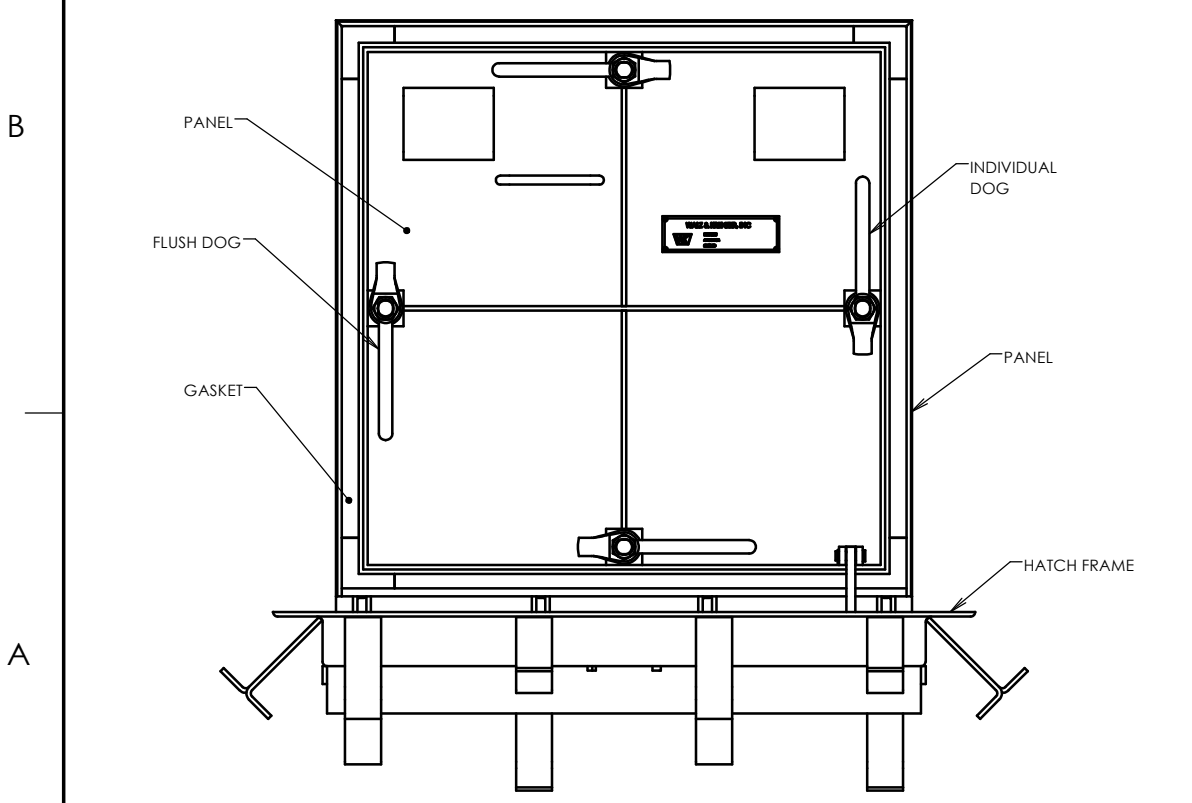
PLAN VIEW
HATCH SHOWN CLOSED



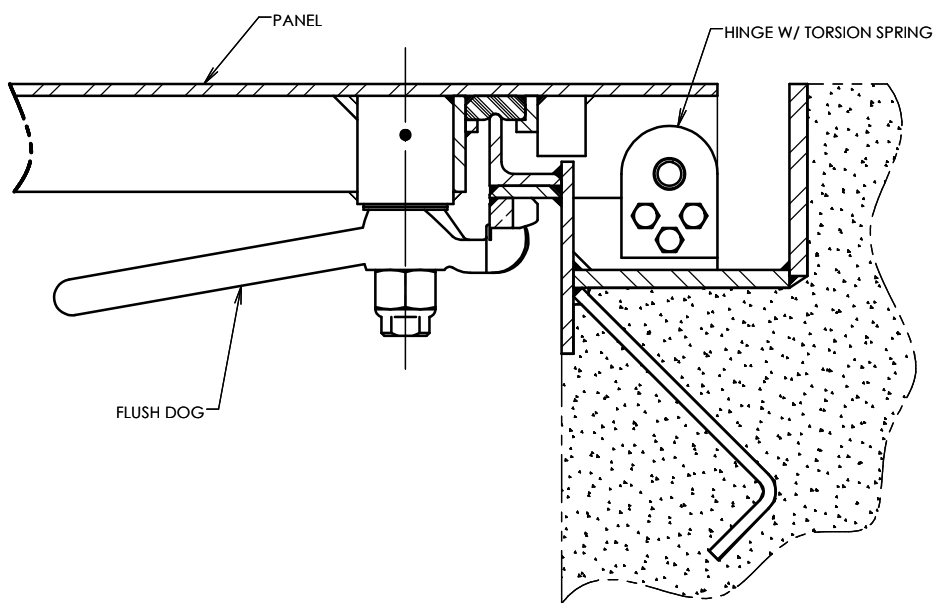
SECTION A-A



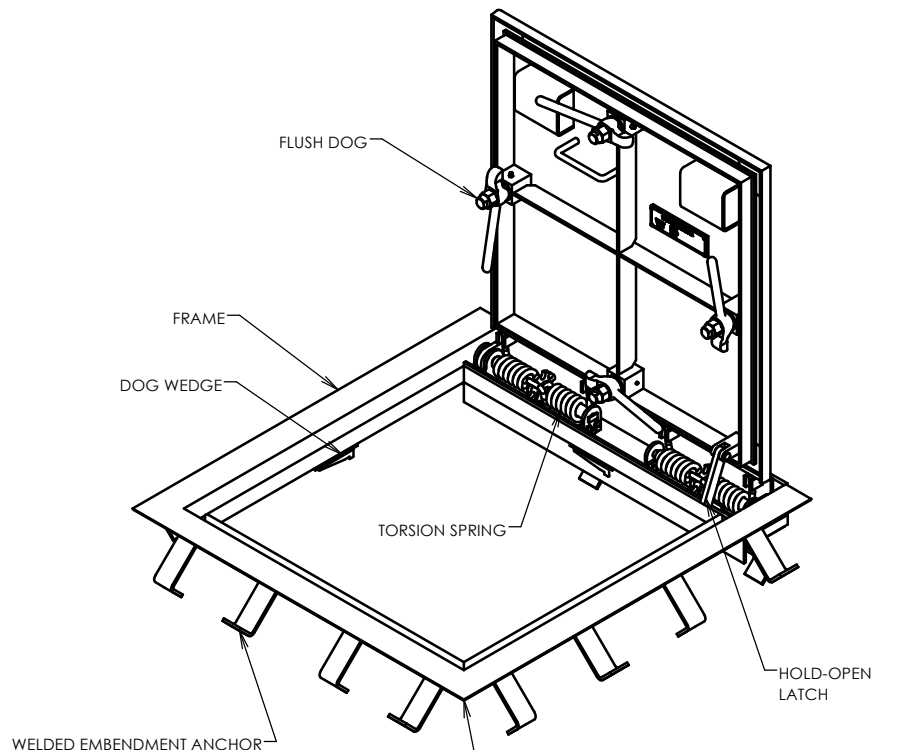
ISOMETRIC VIEW
HATCH SHOWN CLOSED



ELEVATION VIEW
HATCH SHOWN OPEN



SECTION B-B
VIEW ROTATED 90°



ISOMETRIC VIEW
HATCH SHOWN OPEN

NOTE: ALL DIMENSIONS ARE IN INCHES.
NOT ALL VIEWS ARE TO SCALE.

WK WALZ & KRENZER, INC.
91 WILLENBROCK RD., UNIT B-4 OXFORD, CT. 06478
WEB SITE: www.wkdoors.com

THIS DRAWING CONTAINS COMPANY PROPRIETARY AND CONFIDENTIAL INFORMATION AND IS NOT TO BE COPIED, DISCLOSED TO OTHERS OR USED IN ANY MANNER WITHOUT PRIOR PERMISSION OF WALZ & KRENZER, INC.

FLUSH HATCH
(MODEL WTH-F)