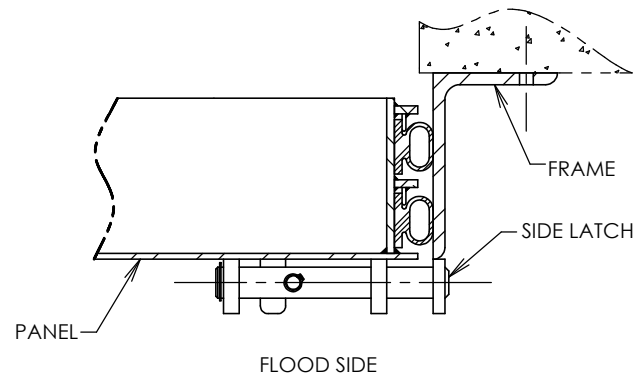
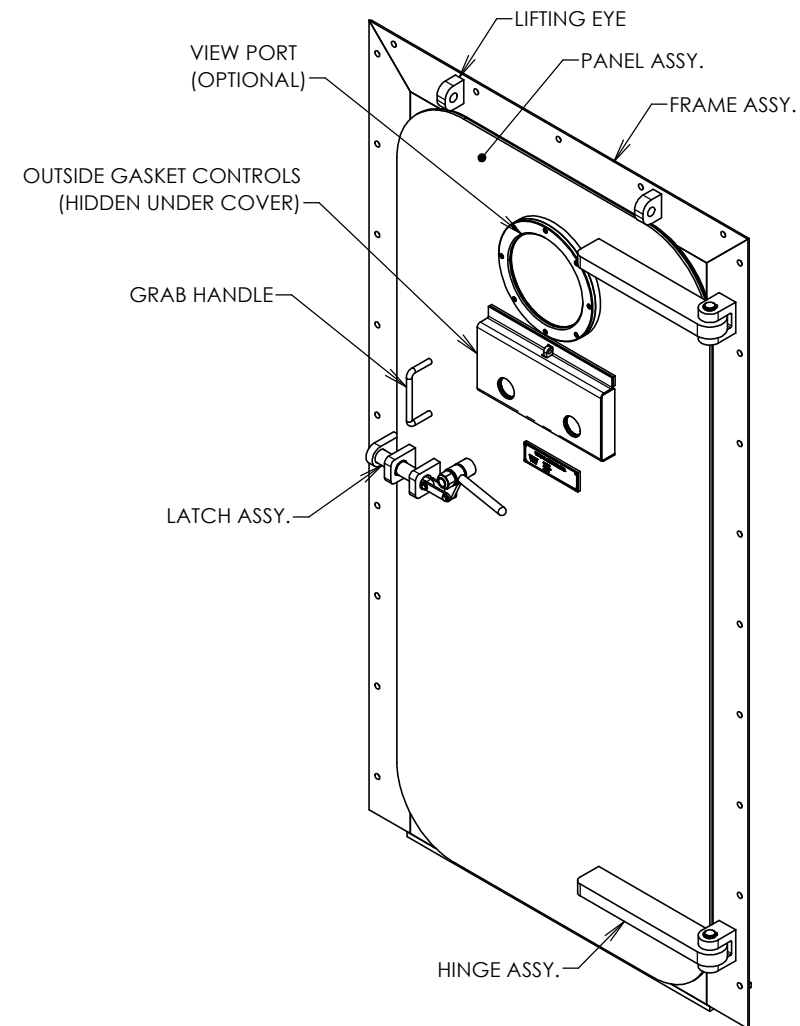


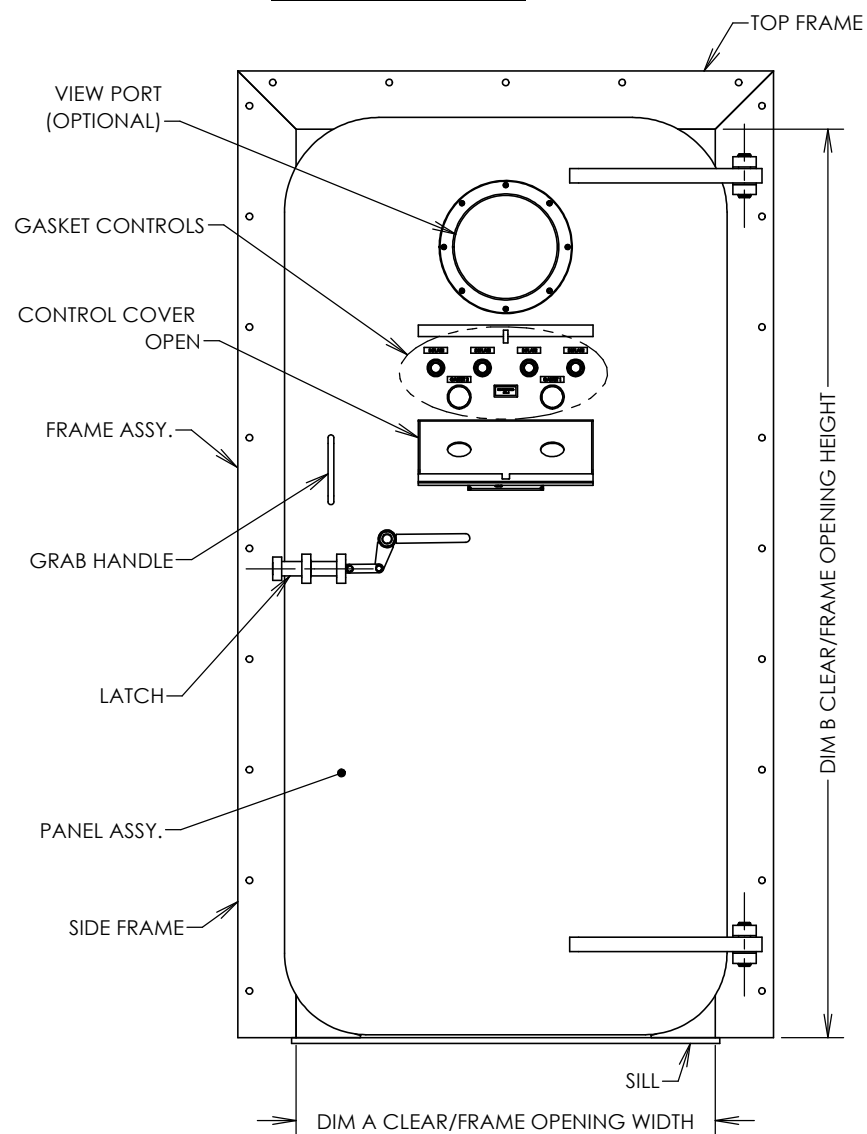
TYPICAL GASKET CONTROL DETAIL



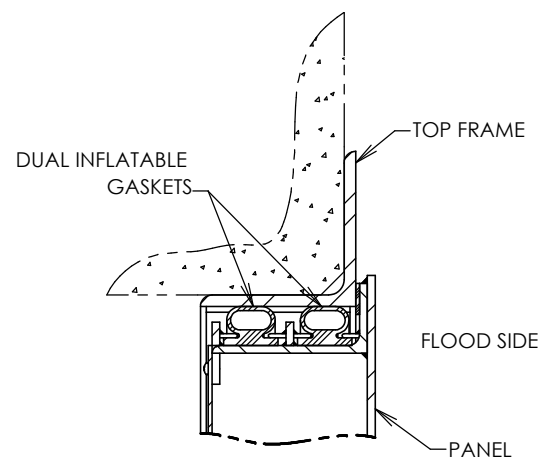
ALTERNATIVE FRAME MOUNTING FOR SIDE AND HEAD



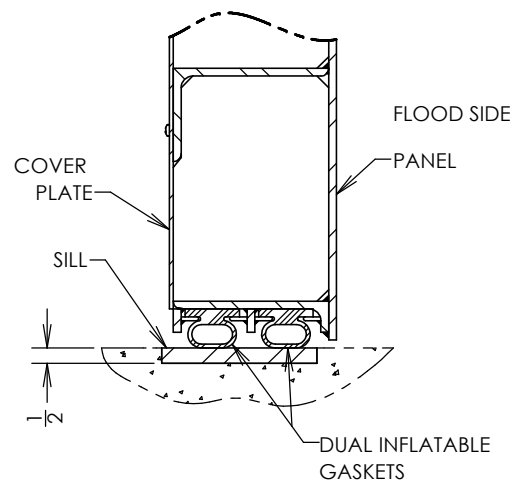
ISOMETRIC VIEW



ELEVATION VIEW
 VIEWED FROM FLOOD SIDE

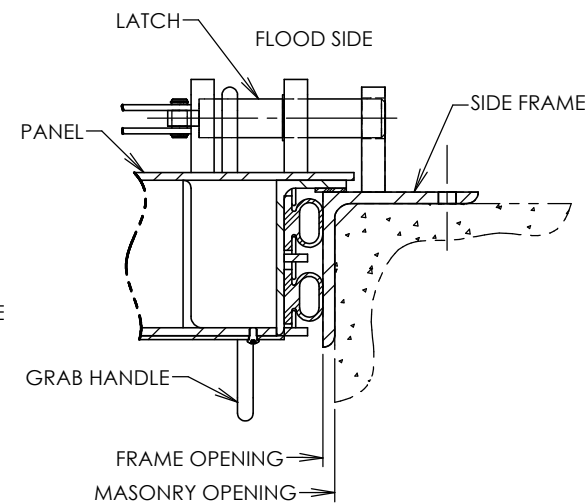


TYPICAL HEAD SECTION



TYPICAL SILL SECTION

FLUSH SILL SHOWN,
 SILL CAN BE BOLTED TO TOP OF CONCRETE



TYPICAL JAMB SECTION

NOTE: ALL DIMENSIONS ARE IN INCHES.
 NOT ALL VIEWS ARE TO SCALE.

THIS DRAWING CONTAINS COMPANY PROPRIETARY INFORMATION AND IS COPYRIGHTED BY WALZ & KRENZER (W&K). W&K ALLOWS USE OF THIS DRAWING IN SPECIFICATIONS AND PLANS ONLY IF W&K IS LISTED AS A QUALIFIED SUPPLIER.

WK WALZ & KRENZER, INC.
 91 WILLENBROCK RD., UNIT B-4 OXFORD, CT. 06478
 WEB SITE: www.wkdoors.com

WATERTIGHT/AIRTIGHT INFLATABLE GASKET DOOR (MODEL WT-FD-ID)