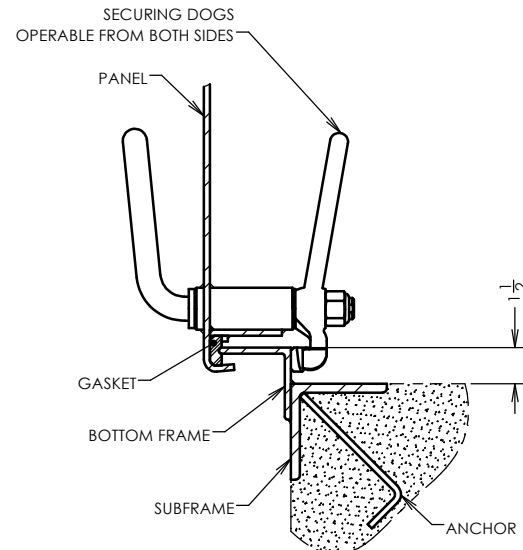


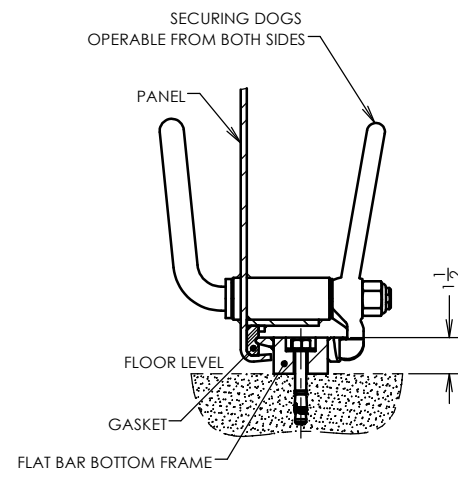
8 7 6 5 4 3 2 1

D

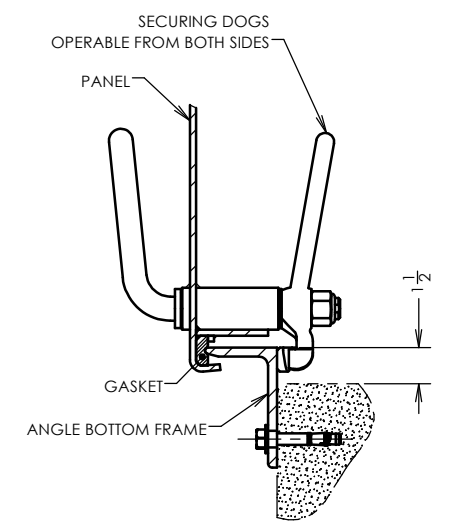
D



SEALING SILL DETAIL  
EMBEDDED FRAME



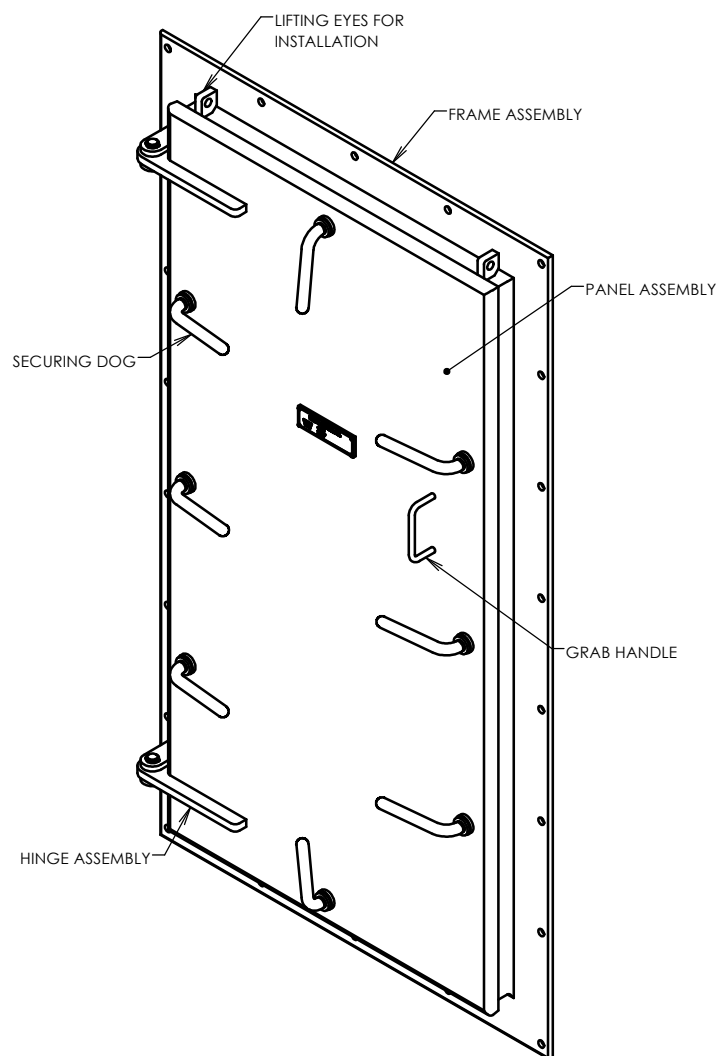
SEALING SILL DETAIL  
BOLT ON FRAME



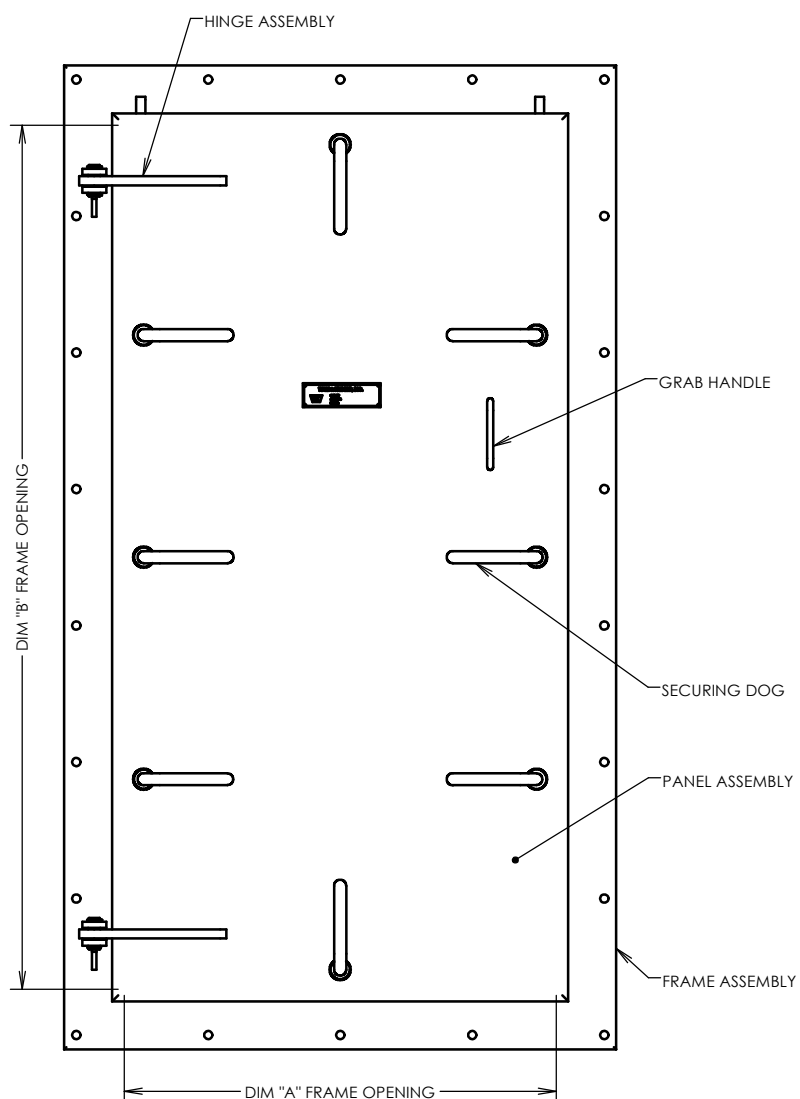
SEALING SILL DETAIL  
BOLT ON FRAME

C

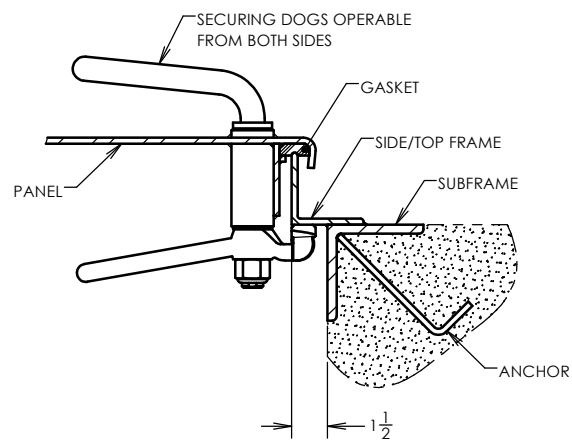
C



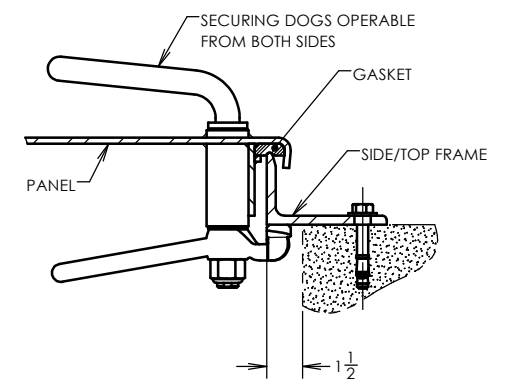
ISOMETRIC VIEW  
BOLT ON FRAME SHOWN



ELEVATION VIEW  
BOLT ON FRAME SHOWN



SEALING JAMB DETAIL  
EMBEDDED FRAME



SEALING JAMB DETAIL  
BOLTED FRAME

B

B

A

A

NOTE: ALL DIMENSIONS ARE IN INCHES.  
NOT ALL VIEWS ARE TO SCALE.

<p>THIS DRAWING CONTAINS COMPANY PROPRIETARY AND CONFIDENTIAL INFORMATION AND IS NOT TO BE COPIED, DISCLOSED TO OTHERS OR USED IN ANY MANNER WITHOUT PRIOR PERMISSION OF WALZ &amp; KRENZER, INC.</p>	<p>WALZ &amp; KRENZER, INC. 91 WILLENBROCK RD., UNIT B-4 OXFORD, CT. 06478 WEB SITE: www.wkdoors.com</p>
	<p>INDIVIDUALLY DOGGED WATERTIGHT DOOR (MODEL WT-FD-1)</p>

8 7 6 5 4 3 2 1