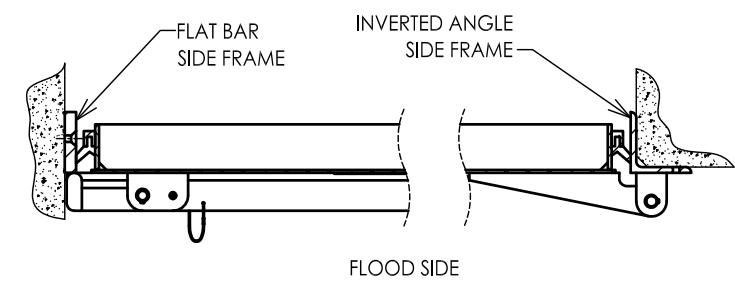
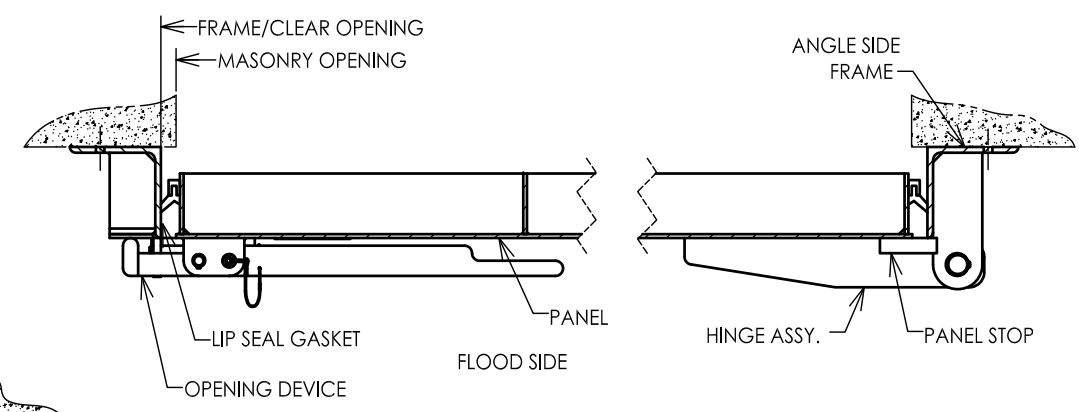


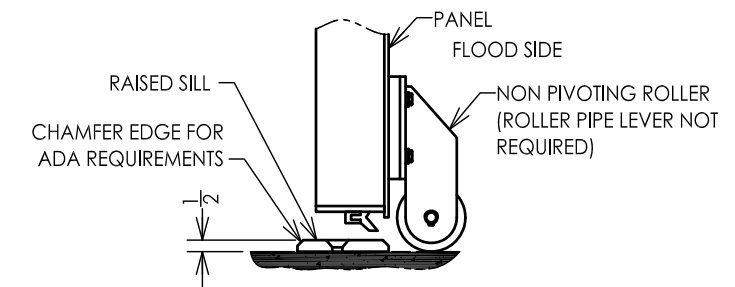
ISOMETRIC VIEW



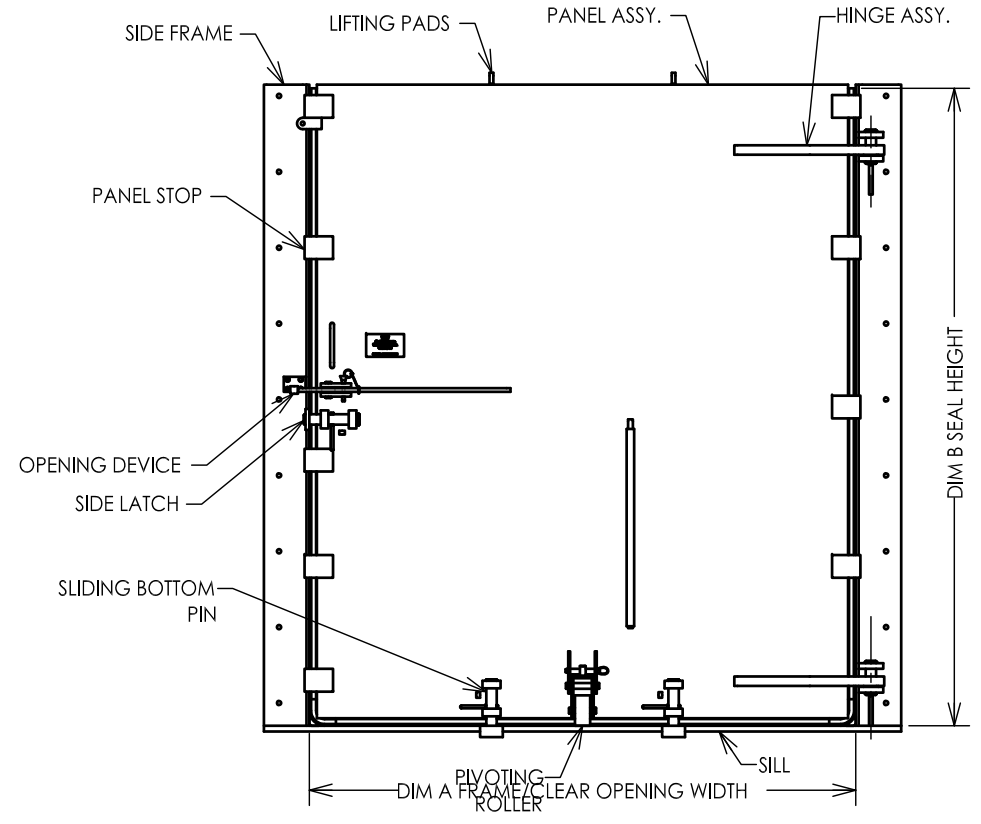
ALTERNATE JAMB SECTION



TYPICAL JAMB SECTION

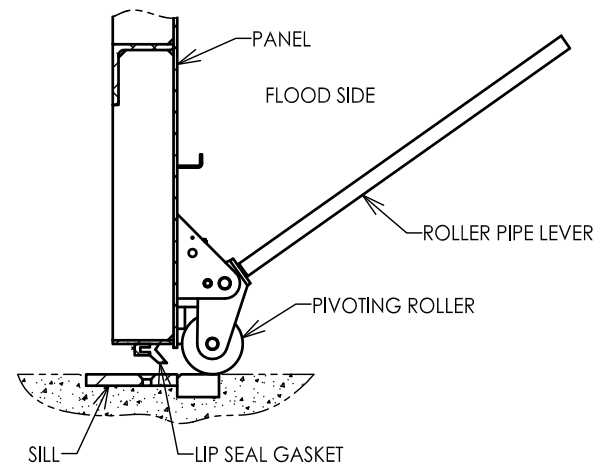


ALTERNATE SILL MOUNTING

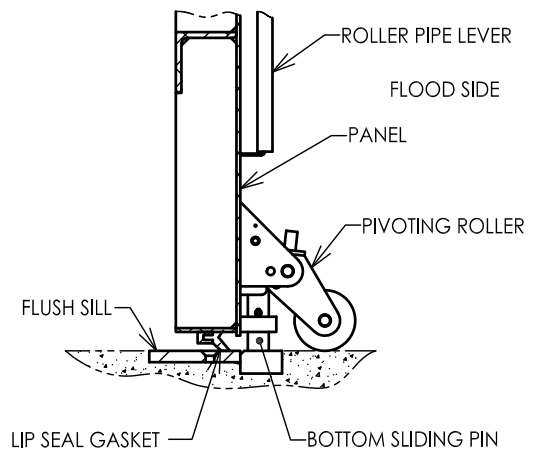


ELEVATION VIEW

NOTE: ALL DIMENSIONS ARE IN INCHES.  
NOT ALL VIEWS ARE TO SCALE.



SILL SECTION  
PANEL SHOWN RAISED



SILL SECTION  
PANEL SHOWN LOWERED

THIS DRAWING CONTAINS COMPANY PROPRIETARY INFORMATION AND IS COPYRIGHTED BY WALZ & KRENZER (W&K). W&K ALLOWS USE OF THIS DRAWING IN SPECIFICATIONS AND PLANS ONLY IF W&K IS LISTED AS A QUALIFIED SUPPLIER.

**WK** WALZ & KRENZER, INC.  
91 WILLENBROCK RD., UNIT B-4 OXFORD, CT. 06478  
WEB SITE: www.wkdoors.com

**HINGED LIP SEAL FLOOD GATE (MODEL FG-LS)**