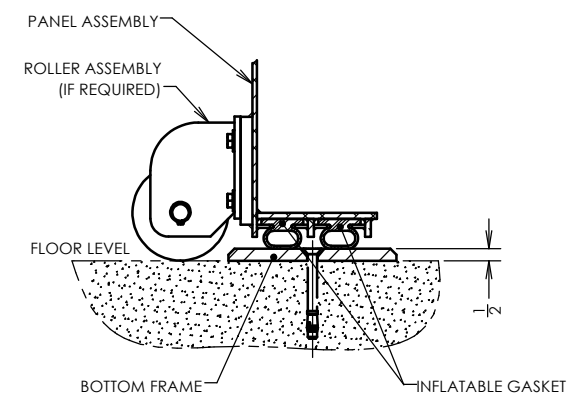
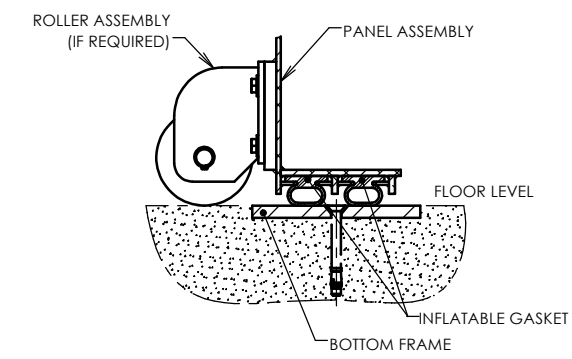


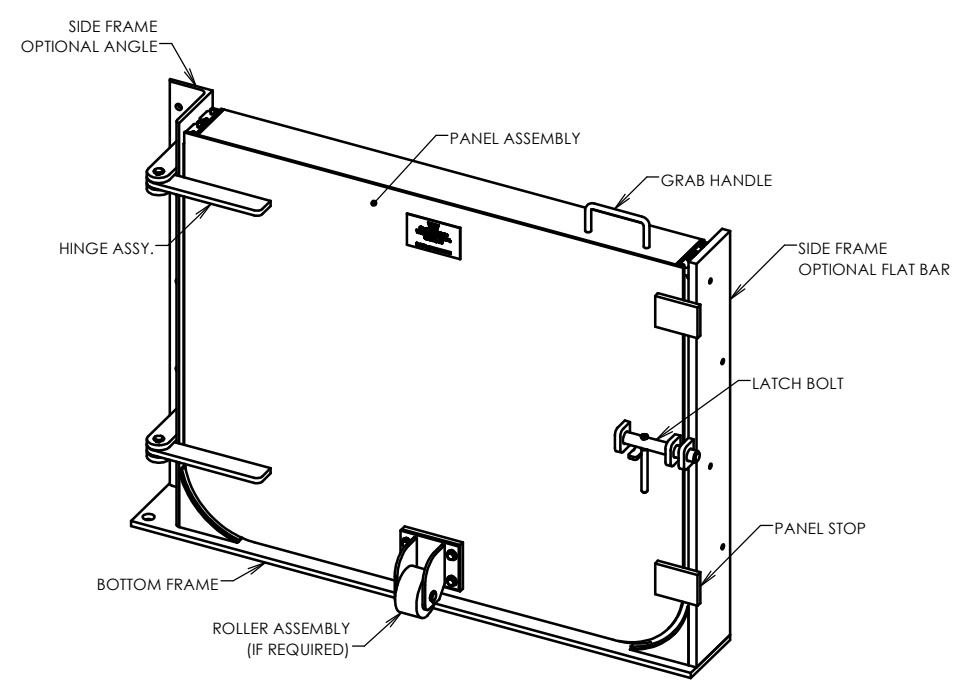
**ELEVATION VIEW**



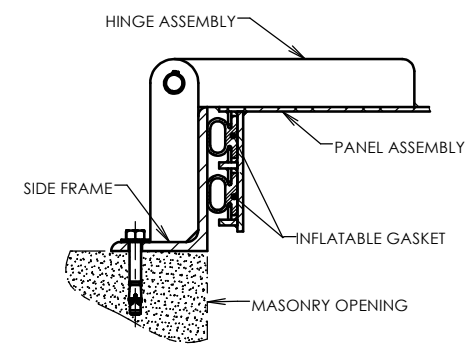
**SEALED SILL**  
RAISED FRAME SHOWN



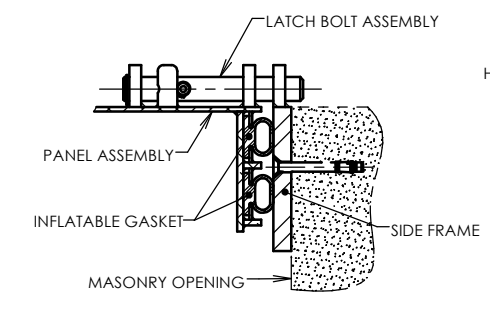
**SEALED SILL**  
RECESSED FRAME SHOWN



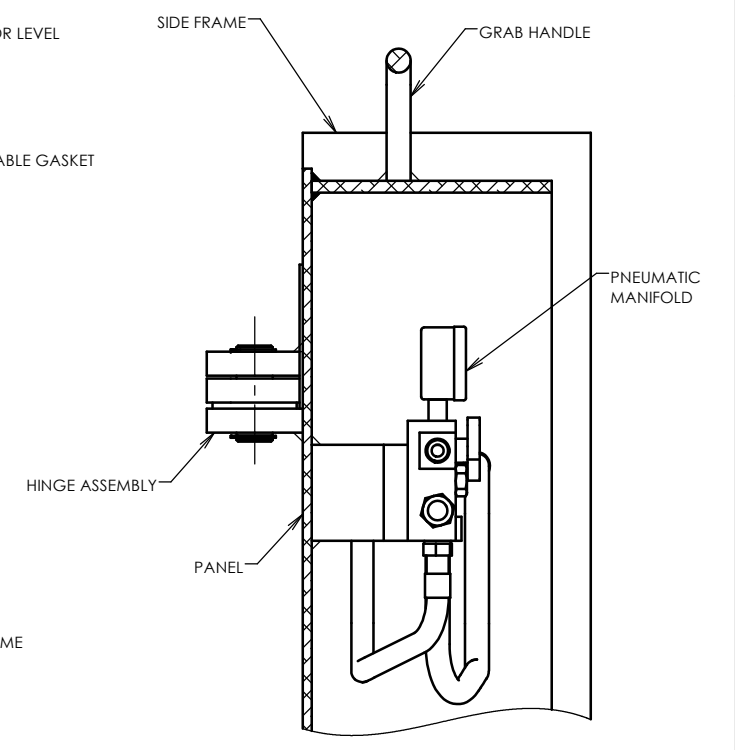
**ISOMETRIC VIEW**



**SEALED JAMB**  
ANGLE FRAME SHOWN



**SEALED JAMB**  
FLAT BAR FRAME SHOWN



**SECTION A-A**

NOTE: ALL DIMENSIONS ARE IN INCHES.  
NOT ALL VIEWS ARE TO SCALE.

<p>THIS DRAWING CONTAINS COMPANY PROPRIETARY AND CONFIDENTIAL INFORMATION AND IS NOT TO BE COPIED, DISCLOSED TO OTHERS OR USED IN ANY MANNER WITHOUT PRIOR PERMISSION OF WALZ &amp; KRENZER, INC.</p>	<p><b>WK</b> WALZ &amp; KRENZER, INC. 91 WILLENBROCK RD., UNIT B-4 OXFORD, CT. 06478 WEB SITE: www.wkdoors.com</p>
	<p><b>HINGED INFLATABLE GASKET FLOOD BARRIER (MODEL FG-1)</b></p>