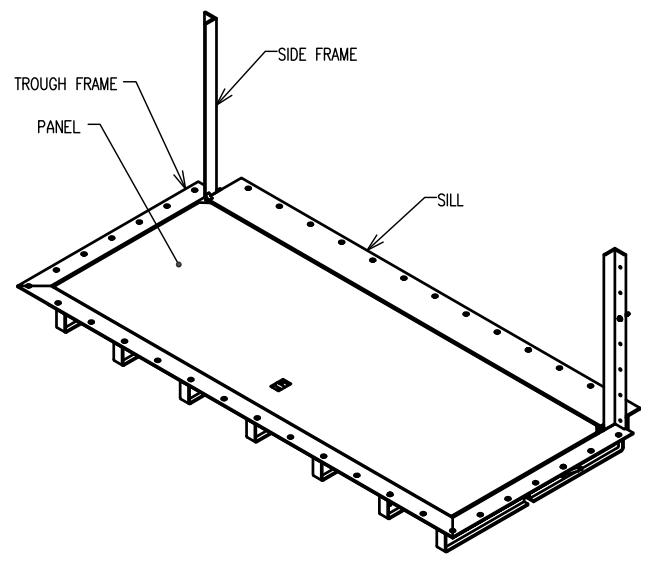
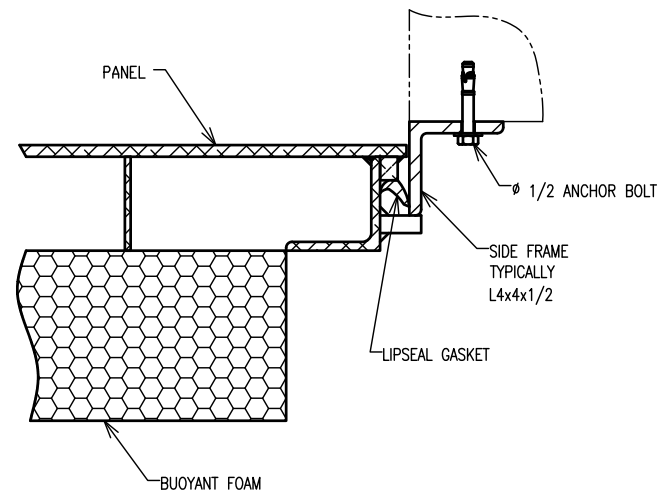
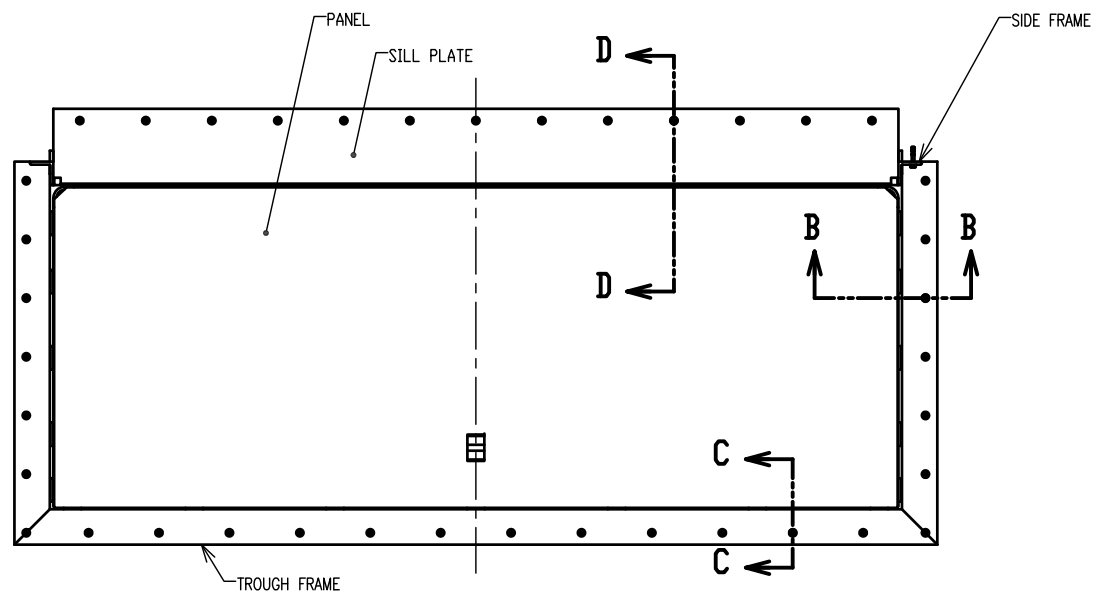


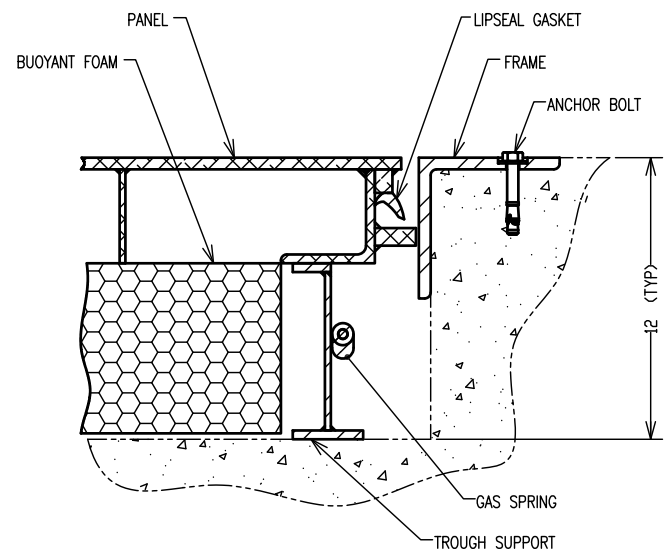
FRONT ELEVATION VIEW - GATE RAISED



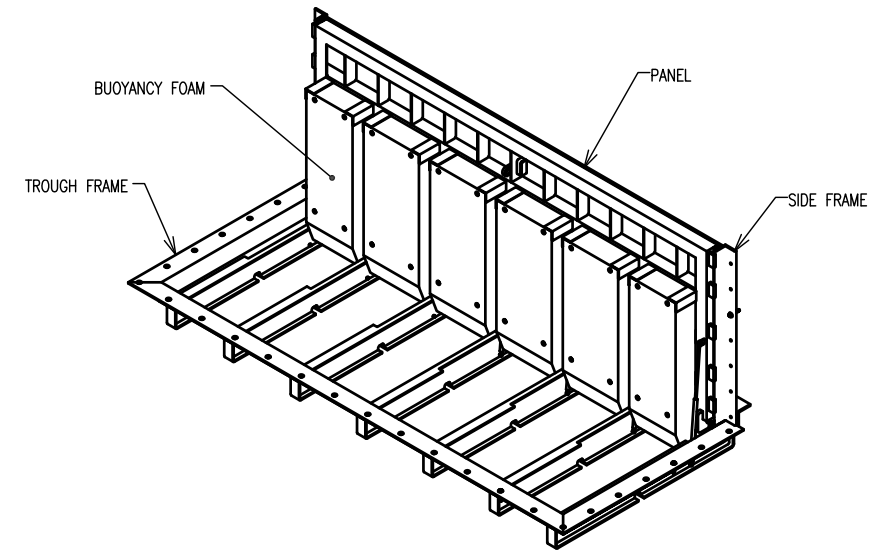
ISOMETRIC VIEW  
PANEL LOWERED



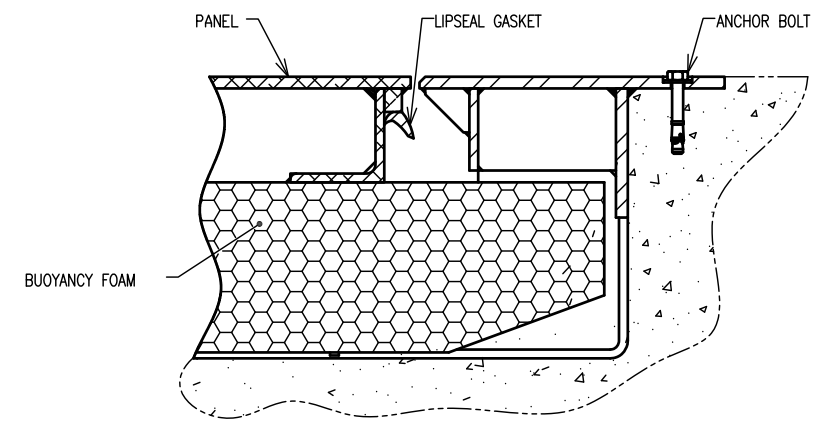
PLAN VIEW - GATE LOWERED



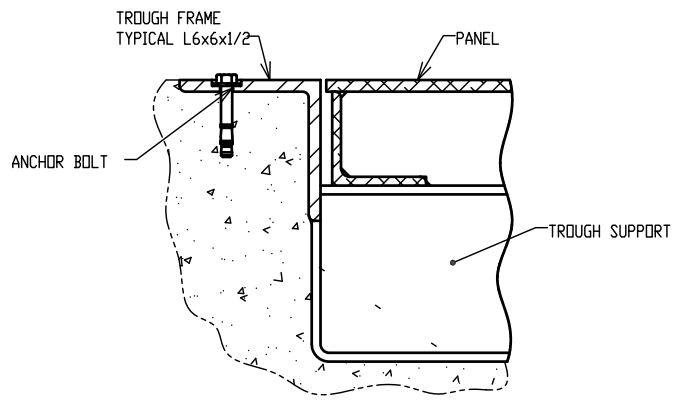
SECTION B-B



ISOMETRIC VIEW  
PANEL RAISED




SECTION D-D  
VIEW ROTATED 90° CW



SECTION C-C  
VIEW ROTATED 90° CW

NOTE: ALL DIMENSIONS ARE IN INCHES.  
NOT ALL VIEWS ARE TO SCALE.

<p>THIS DRAWING CONTAINS COMPANY PROPRIETARY AND CONFIDENTIAL INFORMATION AND IS NOT TO BE COPIED, DISCLOSED TO OTHERS OR USED IN ANY MANNER WITHOUT PRIOR PERMISSION OF WALZ &amp; KRENZER, INC.</p>	 <p>WALZ &amp; KRENZER, INC. 91 WILLENBROCK RD., UNIT B-4 OXFORD, CT. 06478 WEB SITE: <a href="http://www.wkdoors.com">www.wkdoors.com</a></p>
	<p>AUTORISING FLOODGATE (MODEL FG-AR)</p>