

8

7

6

5

4

3

2

1

D

D

C

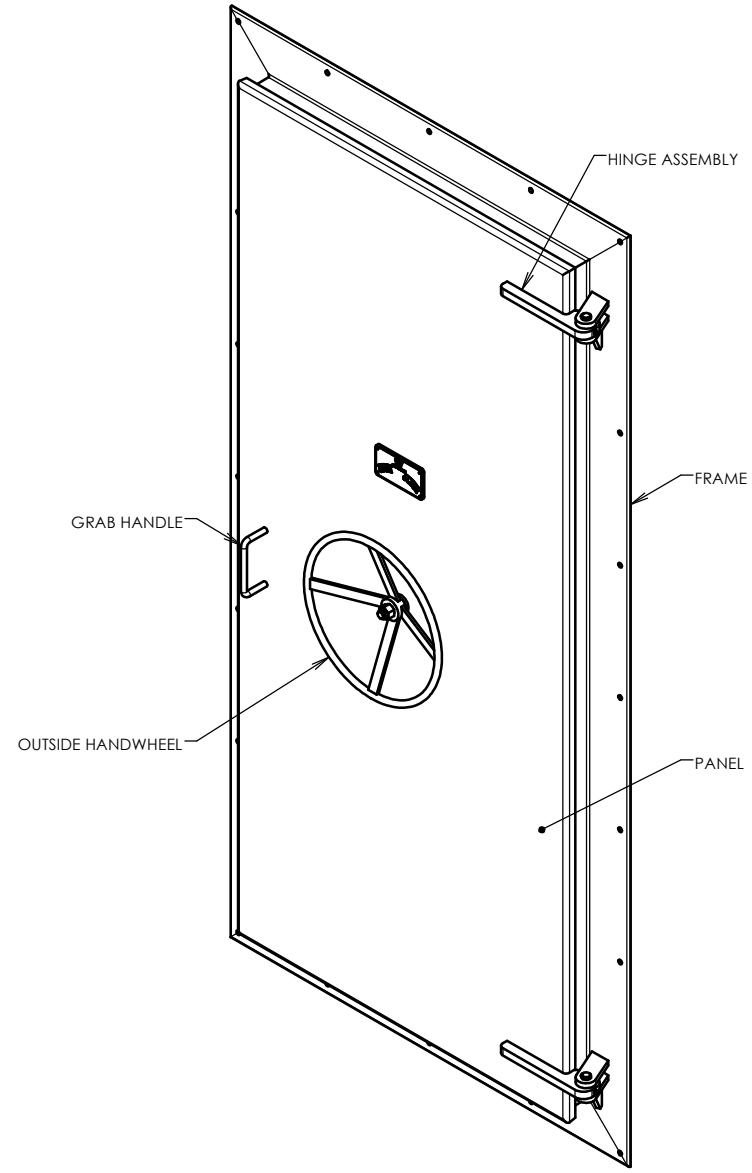
C

B

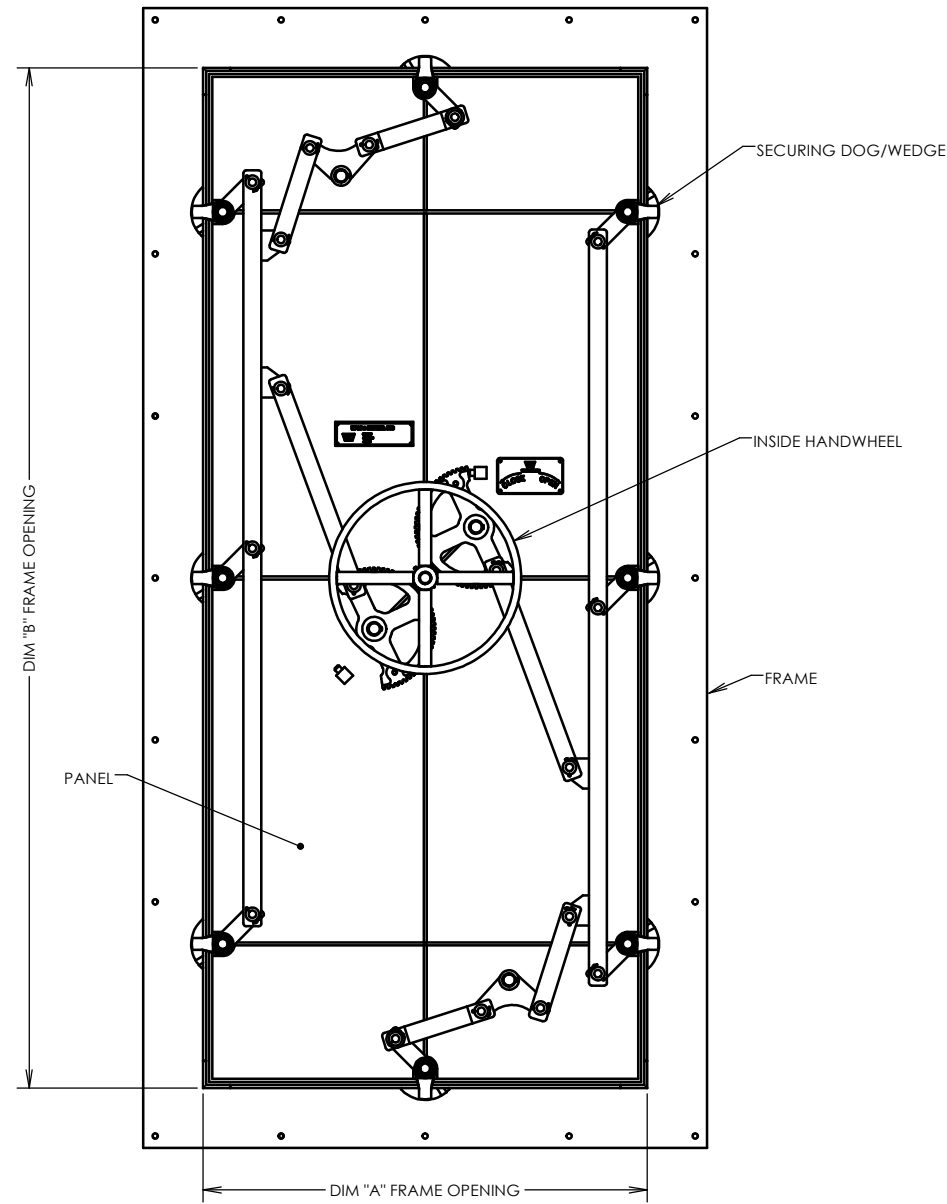
B

A

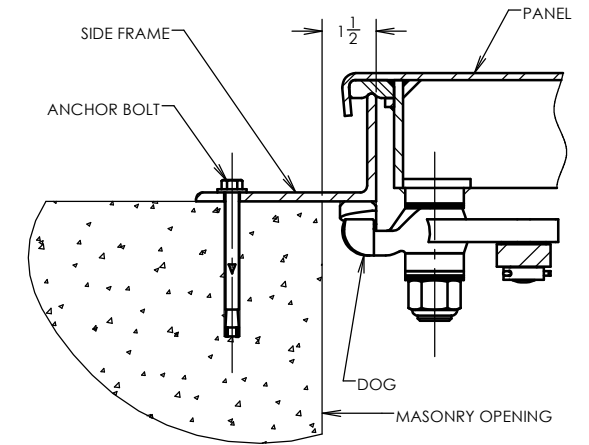
A



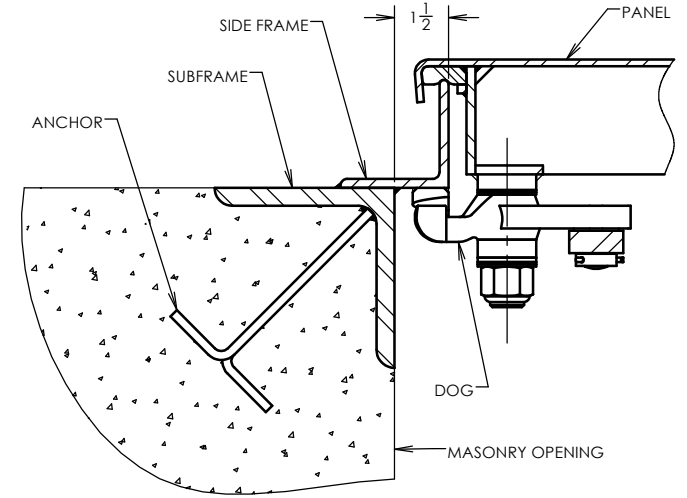
ISOMETRIC VIEW
BOLT-ON FRAME



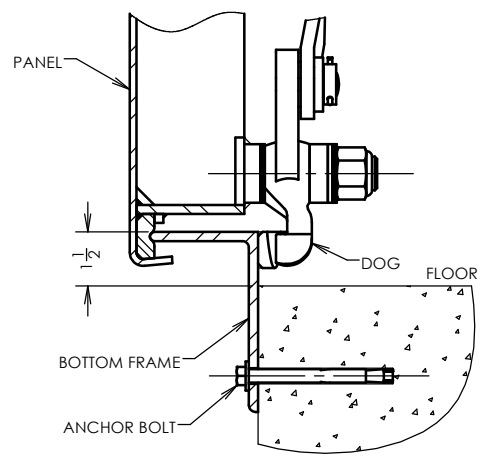
ELEVATION VIEW
BOLT-ON FRAME



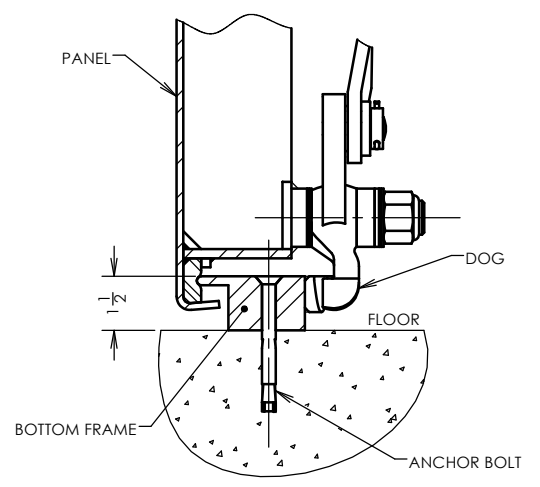
SEALED JAMB DETAIL
BOLT-ON FRAME



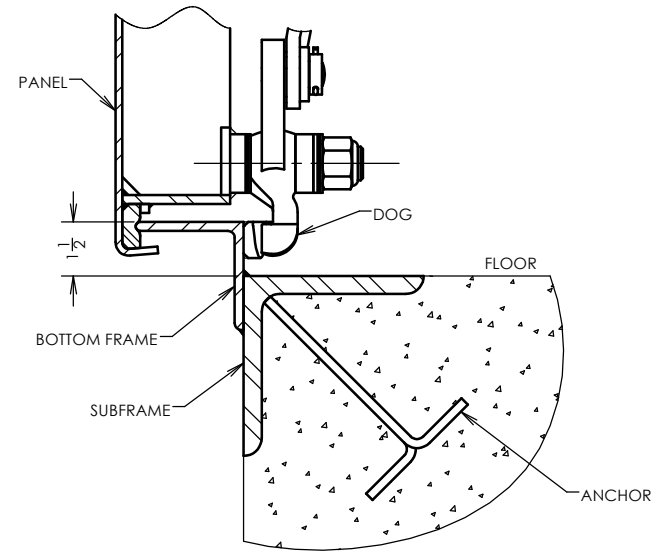
SEALED JAMB DETAIL
EMBEDDED FRAME



SEALED SILL DETAIL
BOLT-ON FRAME



SEALED SILL DETAIL
BOLT-ON FRAME



SEALED SILL DETAIL
EMBEDDED FRAME

NOTE: ALL DIMENSIONS ARE IN INCHES.
NOT ALL VIEWS ARE TO SCALE.

THIS DRAWING CONTAINS COMPANY PROPRIETARY AND CONFIDENTIAL INFORMATION AND IS NOT TO BE COPIED, DISCLOSED TO OTHERS OR USED IN ANY MANNER WITHOUT PRIOR PERMISSION OF WALZ & KRENZER, INC.

WK WALZ & KRENZER, INC.
91 WILLENBROCK RD., UNIT B-4 OXFORD, CT. 06478
WEB SITE: www.wkdoors.com

**QUICK-ACTING
WATERTIGHT DOOR
(MODEL WT-FD-QA)**

8

7

6

5

4

3

2

1